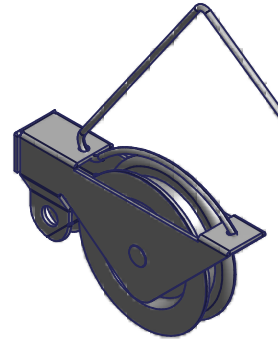
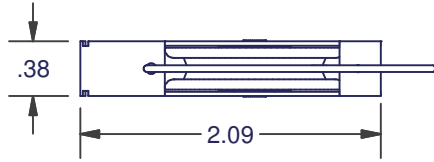
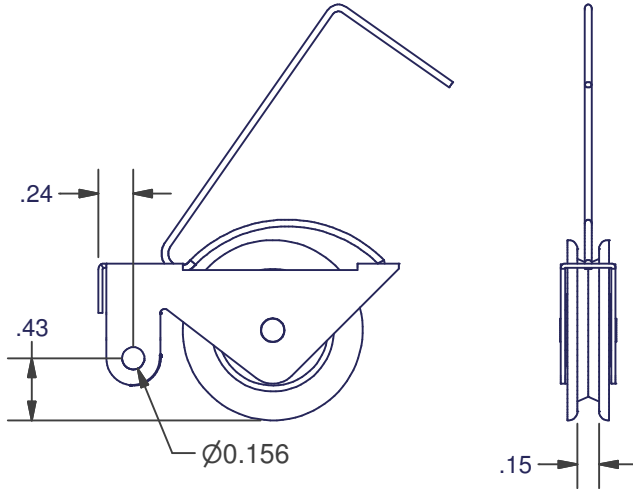


SLIDING SCREEN DOOR

ROLLERS 4876 SERIES



CAN SNAP ON TO 4875 OR 4877 CORNERS
AND USED AS A CORNER / ROLLER ASSEMBLY.



ITEM #	HOUSING MATERIAL	WHEEL DIA.	BEARING MATERIAL
4876-1064	STEEL	1.25	NYLON
4876-2064	STEEL	1.00	NYLON
4876-3064	STEEL	1.25	STEEL
4876-4064	STEEL	1.00	STEEL
4876-5064	STEEL	1.25	STEEL W/ BEARINGS

DIMENSIONS ARE FOR REFERENCE ONLY AND ARE IN INCHES UNLESS OTHERWISE NOTED.
CONTACT OUR ENGINEERING DEPARTMENT WITH SPECIFIC APPLICATION QUESTIONS OR REQUIREMENTS.
NOT ALL COMBINATIONS LISTED ARE CURRENTLY STOCKED, EXTRA LEAD TIME MAY BE REQUIRED.