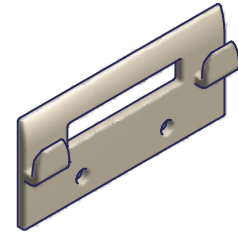
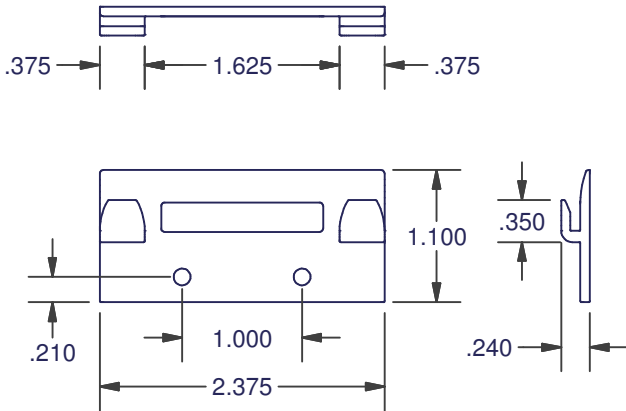


AUTOLOCKS & KEEPERS

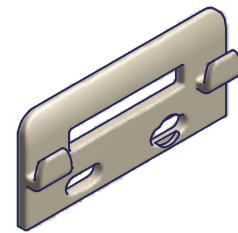
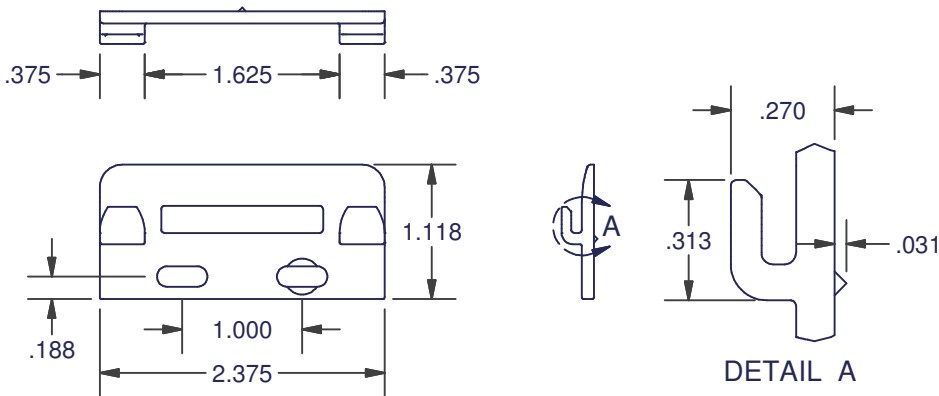
4745-05



AMESBURY ITEM #	REFERENCE ITEM #
400285	4745-05

MATERIAL: ZINC

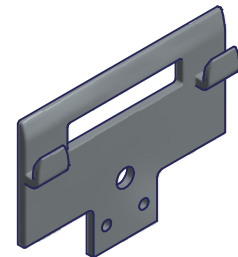
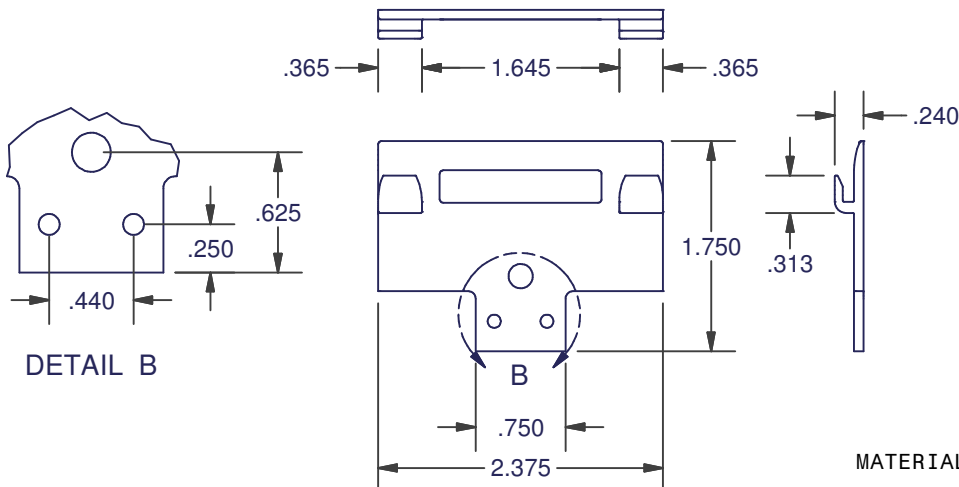
4745-16



AMESBURY ITEM #	REFERENCE ITEM #
400286	4745-16

MATERIAL: ZINC

4745-17



AMESBURY ITEM #	REFERENCE ITEM #
400287	4745-17

MATERIAL: ZINC

DIMENSIONS ARE FOR REFERENCE ONLY AND ARE IN INCHES UNLESS OTHERWISE NOTED.
CONTACT OUR ENGINEERING DEPARTMENT WITH SPECIFIC APPLICATION QUESTIONS OR REQUIREMENTS.
NOT ALL COMBINATIONS LISTED ARE CURRENTLY STOCKED, EXTRA LEAD TIME MAY BE REQUIRED.