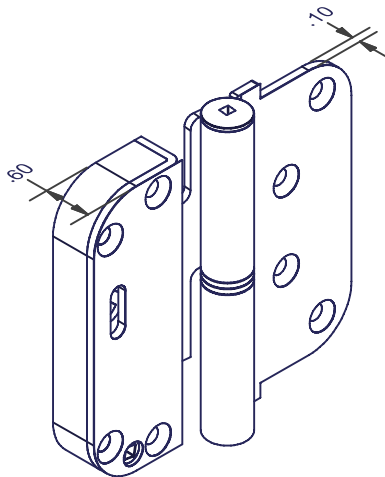
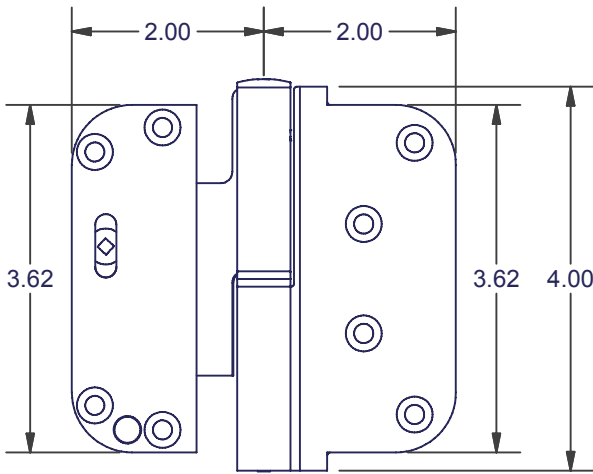
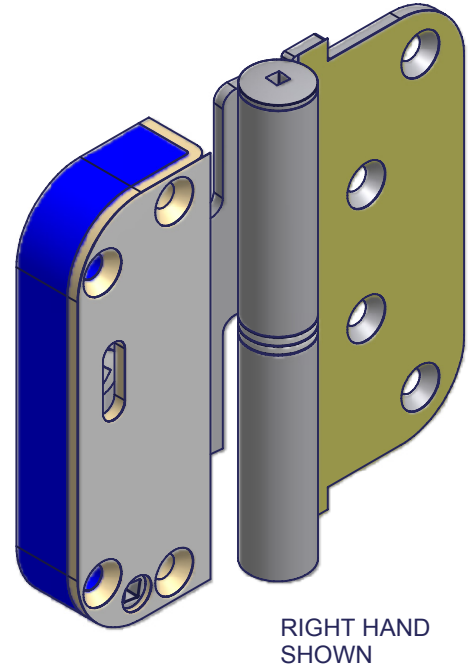


HINGES

FEATURES AND BENEFITS

HG300
LIFT OFF
 BOX QTY: 30

- BOTH VERTICALLY AND HORIZONTALLY ADJUSTABLE.
 HORIZONTAL ADJUSTMENT $\pm .156"$.
 VERTICAL ADJUSTMENT $\pm .200"$.
- VERTICAL ADJUSTMENT IN EACH HINGE ALLOWS FOR HEAVIER PANELS.
- ADJUSTS WITH STANDARD #2 SQUARE DRIVE.
 SQUARE DRIVE PREVENTS STRIPPING OVER PHILLIPS OR SLOTTED.
- FITS COMMON FABRICATION WITHIN THE INDUSTRY.



*OTHER FINISHES MAY BE AVAILABLE

PIN	ITEM #	FINISH	SUBSTRATE
NON-REMOVEABLE LEFT HAND	HG300L-SSNRP-82	BRUSHED STAINLESS STEEL	STAINLESS STEEL
	HG300L-S-NRP-01	WET WHITE	STEEL
	HG300L-S-NRP-02	BLACK	STEEL
	HG300L-S-NRP-06	VISION TAN	STEEL
	HG300L-S-NRP-24	CRAFTSMAN BRONZE	STEEL
	HG300L-S-NRP-74	DARK ORB	STEEL
	HG300L-S-NRP-77	BRUSHED CHROME	STEEL
	HG300L-S-NRP-95	SATIN NICKEL PVD	STEEL
	HG300L-B-NRP-90	SATIN NICKEL PVD	BRASS
	HG300L-B-NRP-91	SOLID BRASS PVD	BRASS
NON-REMOVEABLE RIGHT HAND	HG300R-SSNRP-82	BRUSHED STAINLESS STEEL	STAINLESS STEEL
	HG300R-S-NRP-01	WET WHITE	STEEL
	HG300R-S-NRP-02	BLACK	STEEL
	HG300R-S-NRP-06	VISION TAN	STEEL
	HG300R-S-NRP-24	CRAFTSMAN BRONZE	STEEL
	HG300R-S-NRP-74	DARK ORB	STEEL
	HG300R-S-NRP-77	BRUSHED CHROME	STEEL
	HG300R-S-NRP-95	SATIN NICKEL PVD	STEEL
	HG300R-B-NRP-90	SATIN NICKEL PVD	BRASS
	HG300R-B-NRP-91	SOLID BRASS PVD	BRASS

DIMENSIONS ARE FOR REFERENCE ONLY AND ARE IN INCHES UNLESS OTHERWISE NOTED.
 CONTACT OUR ENGINEERING DEPARTMENT WITH SPECIFIC APPLICATION QUESTIONS OR REQUIREMENTS.
 NOT ALL COMBINATIONS LISTED ARE CURRENTLY STOCKED, EXTRA LEAD TIME MAY BE REQUIRED.