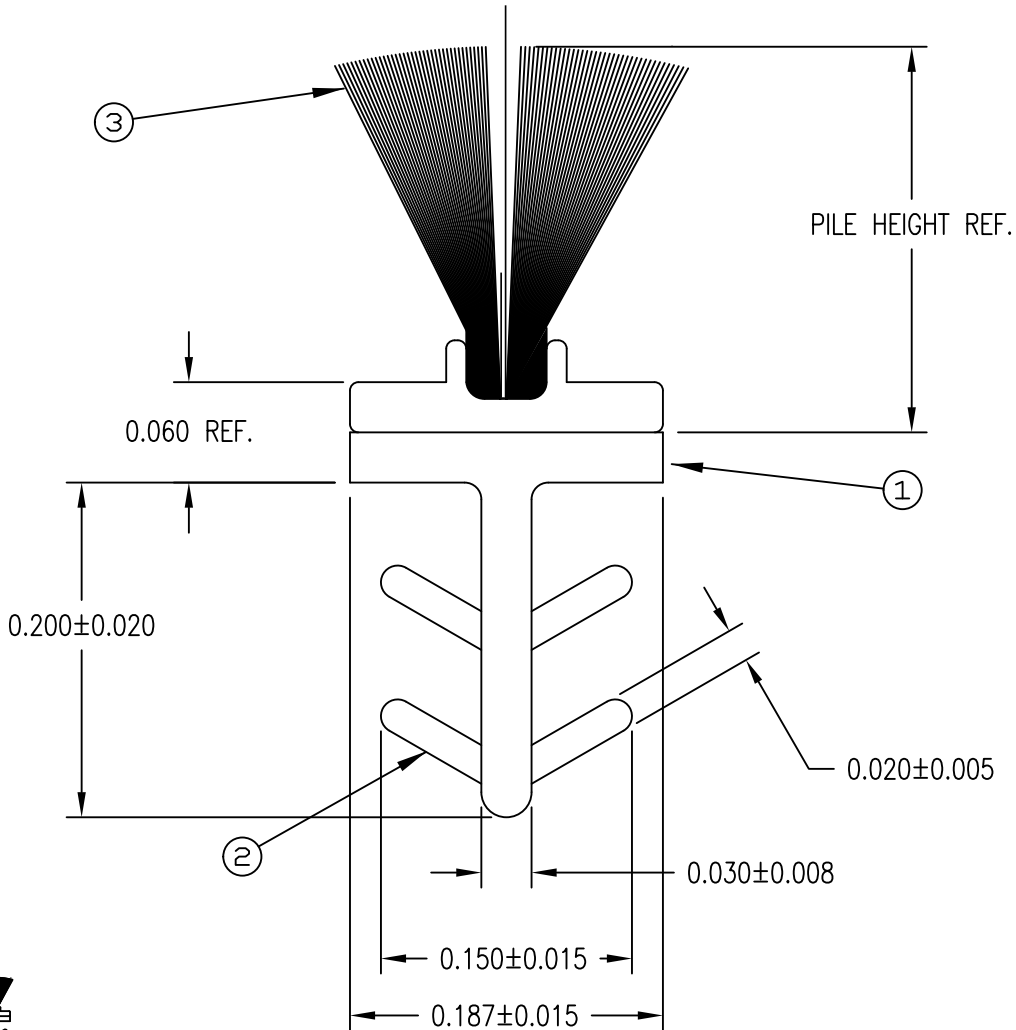




The information disclosed on this drawing is confidential and the property of Amesbury Truth. The use, disclosure, or reproduction of this information and related knowhow is prohibited without written permission from Amesbury Truth.

Revisions			
Lev	Description	Date	By
(A)			
(B)			
(C)			

PRODUCT PRINT



FULL SCALE

DO NOT SCALE THIS DRAWING
UNLESS PRINTER IS QUALIFIED

DE0021FM.dwg

	(4)		
	(3)	SEE BOM	PILE
	(2)	SEE BOM	TPE
	(1)	SEE BOM	POLYPROPYLENE
DECIMAL DIMENSIONS ± _____ UNLESS OTHERWISE SPECIFIED			
mm. <input type="checkbox"/> Inch <input checked="" type="checkbox"/>			
Date: 2/1/11			
Sheet 1 of 1	Item	R.M. Number	Material Description
Drawn Scale: 10 : 1	Approved:	Drawn: ED LEE	Title: KP-52
Cad File No. PP08221	Part No. K052	-----8521----	Dwg. No. PP200822