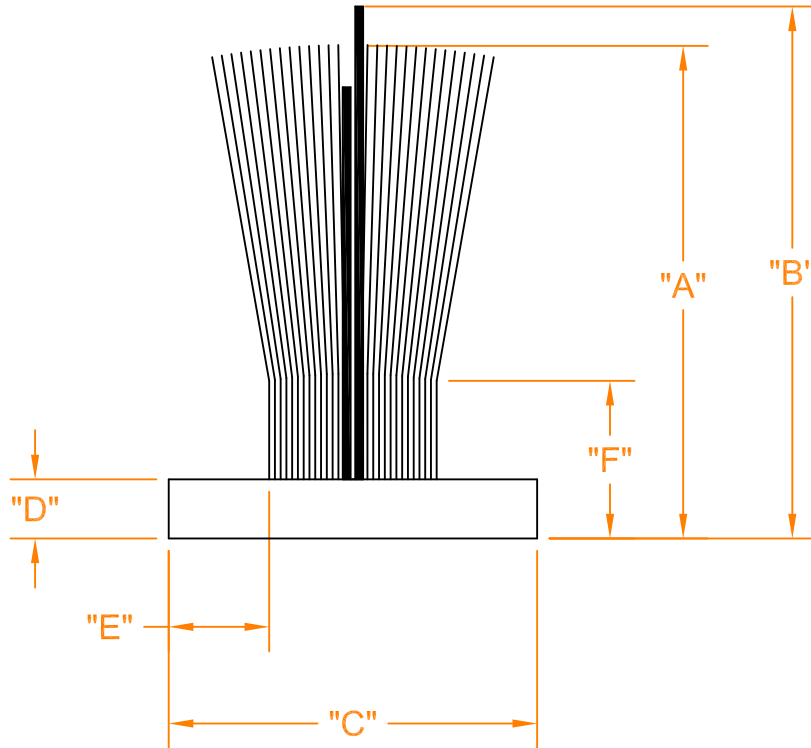



# WOVEN FIN



Ref	Description	Dimension	Tolerance
"A"	Pile Height	As Specified .140 - .650	+0.010 -0.005
"B"	Fin Height	Specified Pile Height +0.020	+/-0.010
"C"	Backing Width	.155, .170, .187 .200, .210, .230 .250, .270, .290 .310, .350, .375 .437	+/-0.005
"D"	Backing Thickness	.030	+/-0.002
"E"	Centering	.040 min	
"F"	GlideFit	.100	Ref

THIS DOCUMENT DISCLOSES INFORMATION AND DATA TO WHICH AMESBURY GROUP INC. HAS PROPRIETARY RIGHTS. NEITHER RECEIPT NOR POSSESSION THEREOF CONFERS OR TRANSFERS ANY RIGHT TO REPRODUCE, USE OR DISCLOSE IN WHOLE OR IN PART ANY SUCH INFORMATION AND DATA EXCEPT BY WRITTEN PERMISSION FROM AMESBURY GROUP INC.

RGH1197

DATE:	REVISION:	TITLE:	DIMENSIONS ARE IN INCHES UNLESS INDICATED OTHERWISE		 <b>AMESBURY GROUP INC.</b> EXTRUDED PRODUCTS DIVISION 159 WALKER RD. STATESVILLE NC 28625
			TOLERANCES UNLESS INDICATED OTHERWISE		
		DRAWN: RSG	CHECKED:	Fractions ±1/64"	Decimals .X ±.020"
		DATE: 1/1/00	SCALE: 10:1	Angles ±0.5°	.XX ±.010" .XXX ±.005"
		MATERIAL	Polypropylene		DRAWING/PART No.
					WOVEN FIN
					REV.