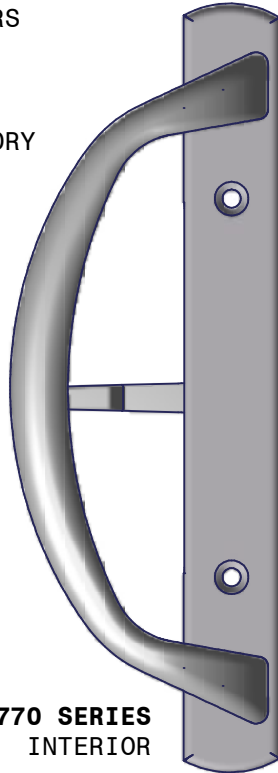


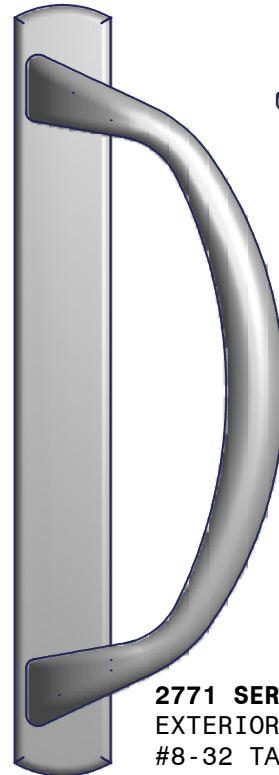
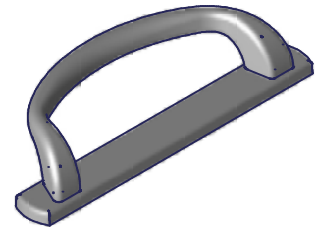
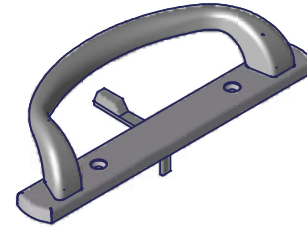
SLIDING DOOR HANDLES

- MIX AND MATCH INTERIOR AND EXTERIOR HANDLE DESIGNS AND FINISHES. OFTEN MATCHED WITH 2957 EXT. PULL
- USE WITH SINGLE OR MULTI-POINT LOCKS
- DUMMY SET AVAILABLE FOR OXXO DOORS
- TWO PIECE CONSTRUCTION
- NON-HANDED DESIGN REDUCES INVENTORY
- EXTERIOR HANDLE AVAILABLE IN KEYED OR NON-KEYED CAN BE KEYED ALIKE OR DIFFERENT
- FITS 3 15/16" HOLE CENTERS
- COMPATIBLE TO 3 OR 4 HOLE FABRICATION PATTERN
- COMPATIBLE FOR STILE THICKNESSES FROM 1 1/4" - 2 1/4"
- POPULAR FINSHES
SW = STANDARD WHITE (ZINC)
MA = ALMOND (ZINC)
- * OTHER FINISHES MAY BE AVAILABLE.

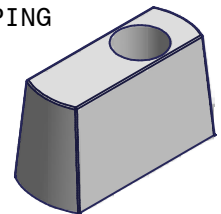
2770 SERIES
INTERIOR



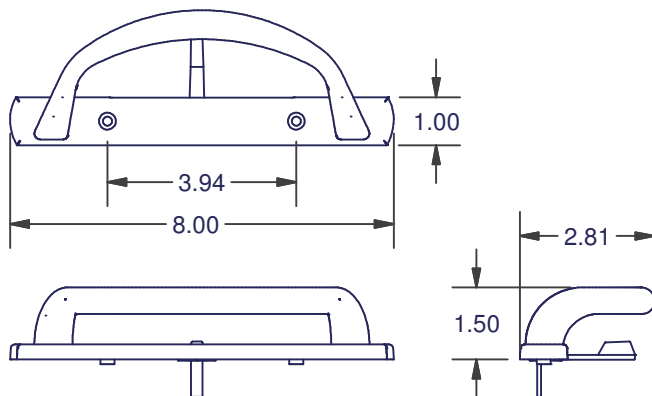
ARCH
LOW PROFILE



2771 SERIES
EXTERIOR
#8-32 TAPPING



ADD 2870 HOUSING AND KEY CYLINDER FOR ACTIVE SETS.



DIMENSIONS ARE FOR REFERENCE ONLY AND ARE IN INCHES UNLESS OTHERWISE NOTED.
CONTACT OUR ENGINEERING DEPARTMENT WITH SPECIFIC APPLICATION QUESTIONS OR REQUIREMENTS.
NOT ALL COMBINATIONS LISTED ARE CURRENTLY STOCKED, EXTRA LEAD TIME MAY BE REQUIRED.