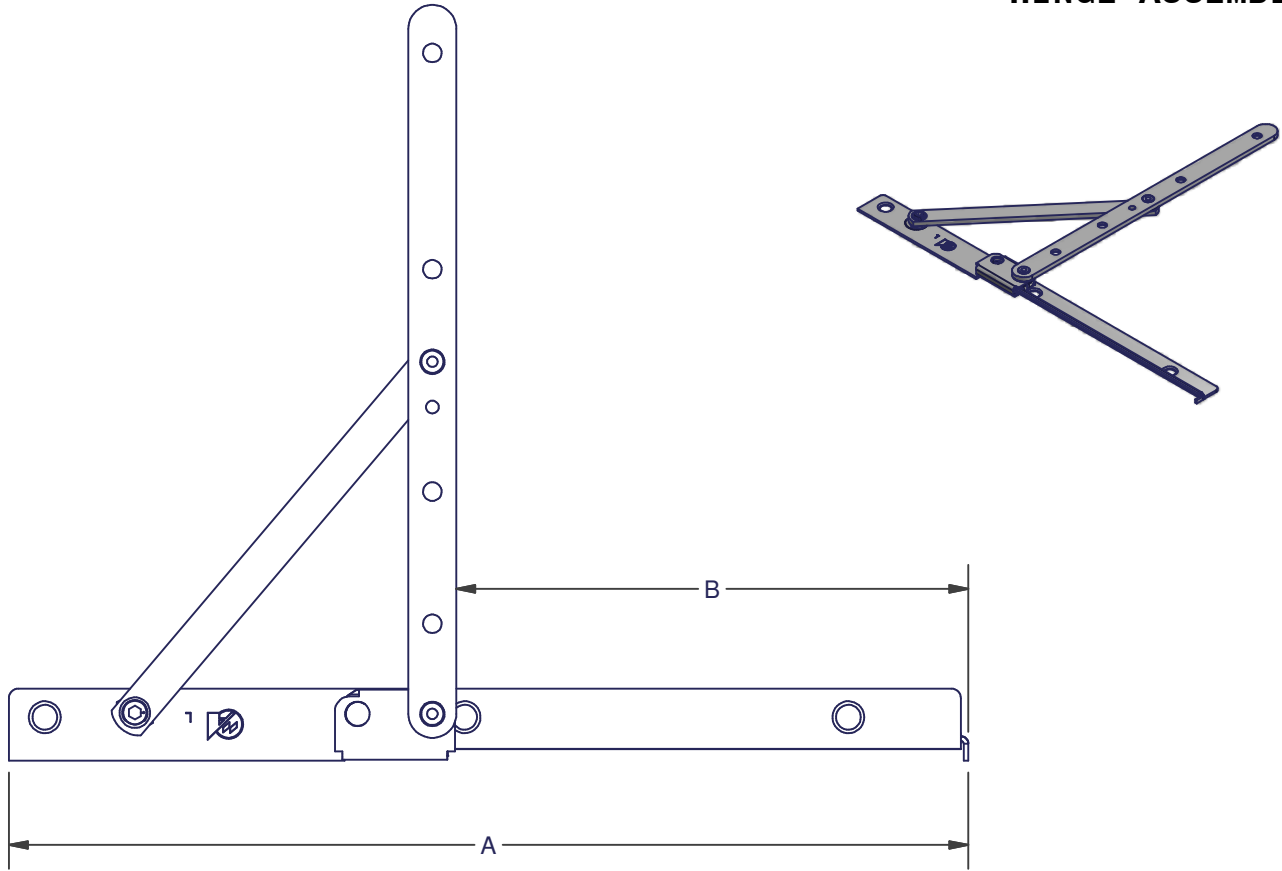


HINGES

HINGE ASSEMBLY



DESCRIPTION	TRACK PART #	SASH ARM PART #	HINGE ASSEMBLY PART # (ASSEMBLY OF SASH ARM AND TRACK)	A	B
10" EGRESS LH	25-001-1-00-000	26-001-1-00-000	27-001-1-00-000	10	2.21
10" EGRESS RH	25-001-2-00-000	26-001-2-00-000	27-001-2-00-000	10	2.21
10" WASHABILITY LH	25-001-1-00-000	26-002-1-00-000	27-002-1-00-000	10	5.34
10" WASHABILITY RH	25-001-2-00-000	26-002-2-00-000	27-002-2-00-000	10	5.34
14" WASHABILITY LH	25-002-1-00-000	26-003-1-00-000	27-003-1-00-000	14	6.76
14" WASHABILITY RH	25-002-2-00-000	26-003-2-00-000	27-003-2-00-000	14	6.76
14" AWNING LH	25-003-1-00-000	26-003-1-00-000	27-004-1-00-000	14	6.84
14" AWNING RH	25-003-2-00-000	26-003-2-00-000	27-004-2-00-000	14	6.84
18" AWNING LH	25-004-1-00-000	26-004-1-00-000	27-005-1-00-000	18	10
18" AWNING RH	25-004-2-00-000	26-004-2-00-000	27-005-2-00-000	18	10
22" AWNING LH	25-005-1-00-000	26-005-1-00-000	27-006-1-00-000	22	13.24
22" AWNING RH	25-005-2-00-000	26-005-2-00-000	27-006-2-00-000	22	13.24

DIMENSIONS ARE FOR REFERENCE ONLY AND ARE IN INCHES UNLESS OTHERWISE NOTED.
CONTACT OUR ENGINEERING DEPARTMENT WITH SPECIFIC APPLICATION QUESTIONS OR REQUIREMENTS.
NOT ALL COMBINATIONS LISTED ARE CURRENTLY STOCKED, EXTRA LEAD TIME MAY BE REQUIRED.