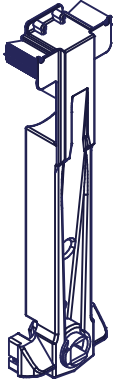


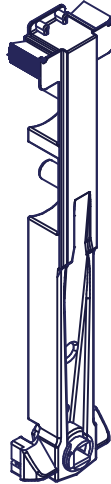
CONSTANT FORCE

978 SERIES - INVERTED UNIVERSAL DROP-IN



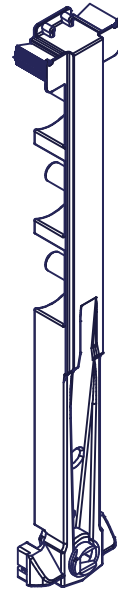
701010

INVERTED UNIVERSAL SINGLE SUPPORT



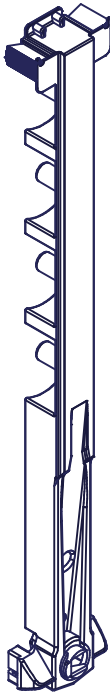
701020

INVERTED UNIVERSAL DUAL SUPPORT



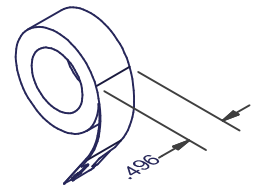
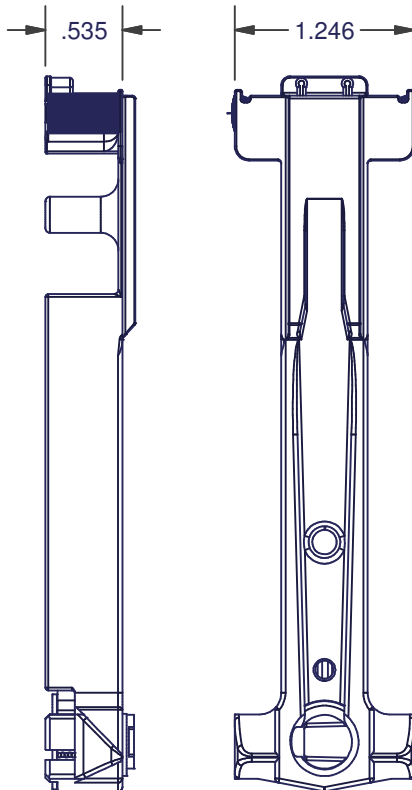
701030

INVERTED UNIVERSAL TRIPLE SUPPORT



701040

INVERTED UNIVERSAL QUAD SUPPORT



UNIVERSAL COIL

DIMENSIONS ARE FOR REFERENCE ONLY AND ARE IN INCHES UNLESS OTHERWISE NOTED.
 CONTACT OUR ENGINEERING DEPARTMENT WITH SPECIFIC APPLICATION QUESTIONS OR REQUIREMENTS.
 NOT ALL COMBINATIONS LISTED ARE CURRENTLY STOCKED, EXTRA LEAD TIME MAY BE REQUIRED.