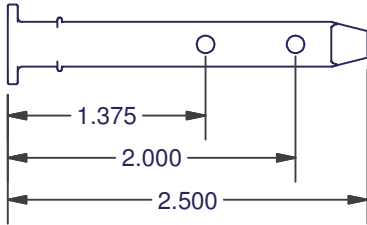
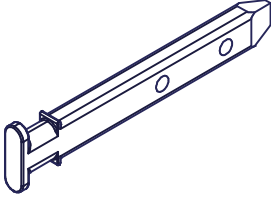


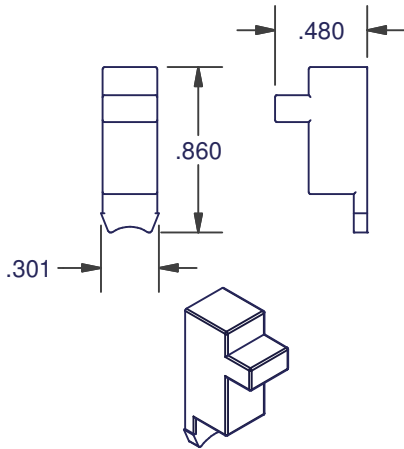
CONSTANT FORCE

EGRESS & UNIVERSAL PIVOT BARS



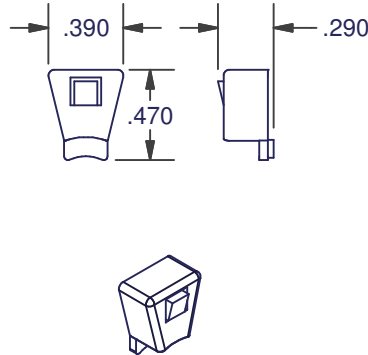
23145
T-PIVOT

EGRESS & UNIVERSAL CLIPS



501047
PIVOT RETAINER

USE WITH 501042, 501043, 501045



501061
PIVOT RETAINER

USE WITH 501040, 501041, 501044