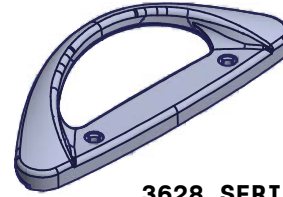


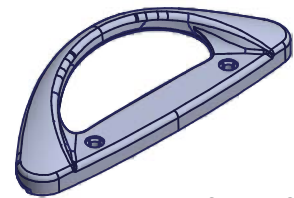
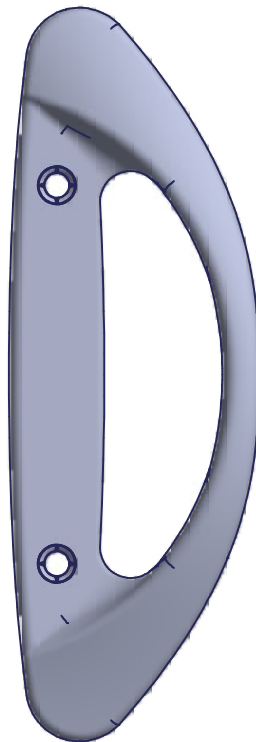
SLIDING DOOR HANDLES

ECLIPSE

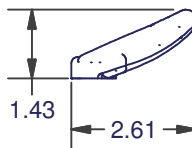
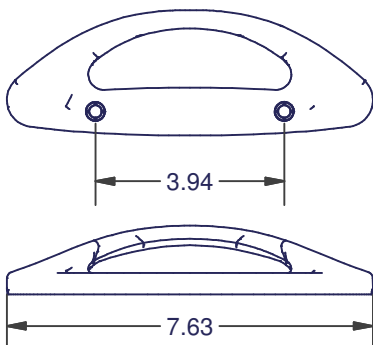
- USE WITH SINGLE OR MULTI POINT LOCKS
- DUMMY SET AVAILABLE FOR OXXO DOORS
- ONE PIECE CONSTRUCTION
- NON-HANDED DESIGN REDUCES INVENTORY
- FITS 3 15-16" HOLE CENTERS
- COMPATIBLE TO 3 OR 4 HOLE FABRICATION PATTERN
- COMPATIBLE FOR STILE THICKNESSES FROM 1 1/4" - 2 1/4"
- POPULAR FINISHES
 01 = WET WHITE (ZINC)
 02 = BLACK (ZINC)
 06 = VISION TAN (ZINC)
 12 = SHIELD WHITE (ZINC)
 52 = FAUX ORB
- * OTHER FINISHES MAY BE AVAILABLE.



3628 SERIES
INTERIOR



3629 SERIES
EXTERIOR
#8-32 TAPPING



DIMENSIONS ARE FOR REFERENCE ONLY AND ARE IN INCHES UNLESS OTHERWISE NOTED.
 CONTACT OUR ENGINEERING DEPARTMENT WITH SPECIFIC APPLICATION QUESTIONS OR REQUIREMENTS.
 NOT ALL COMBINATIONS LISTED ARE CURRENTLY STOCKED, EXTRA LEAD TIME MAY BE REQUIRED.