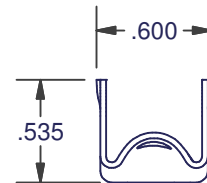
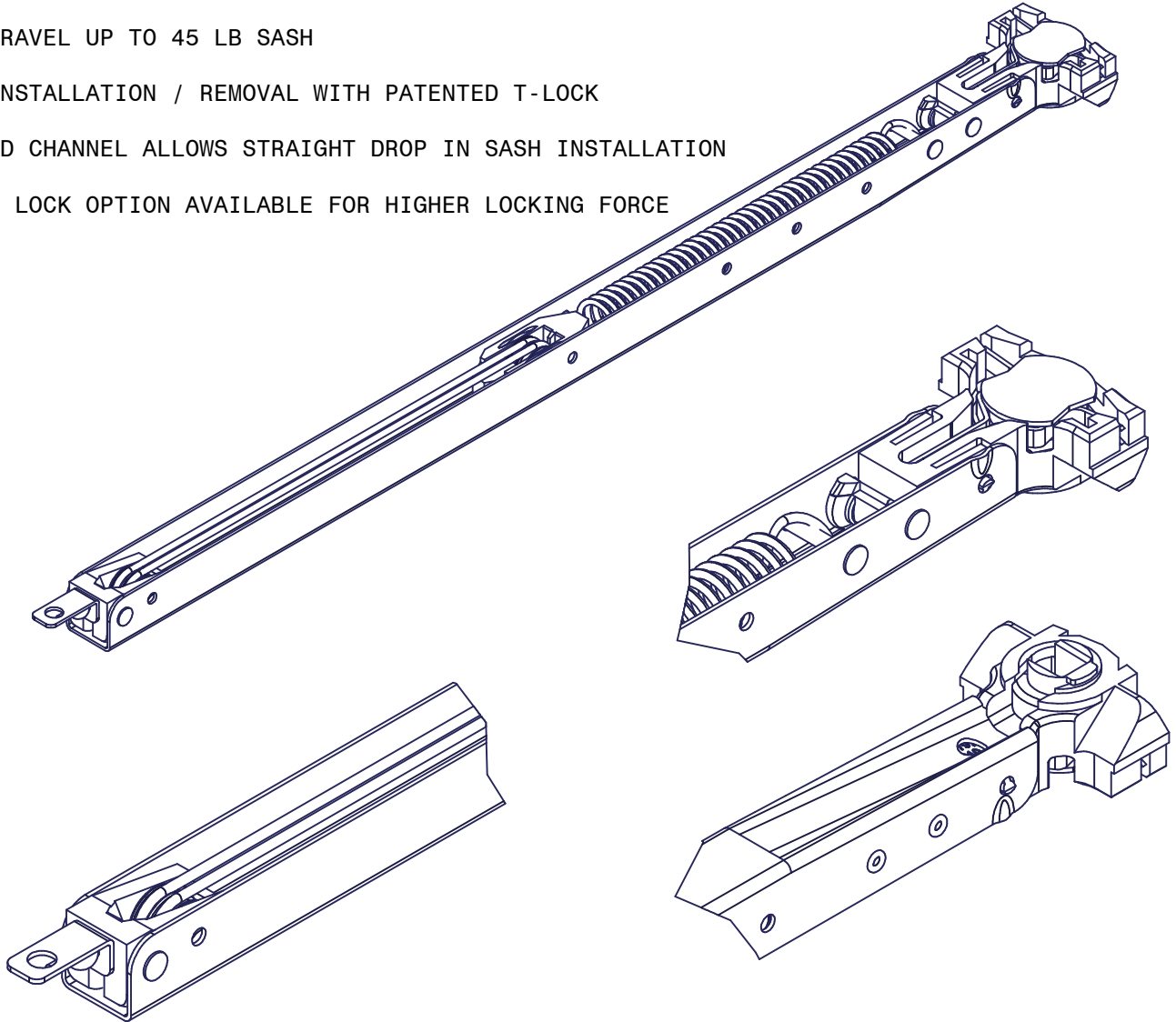


INVERTED TILT B&T BALANCE

747 SERIES

- REVERSE LACE
- AAMA 902-07 CERTIFIED
- FULL TRAVEL UP TO 45 LB SASH
- EASY INSTALLATION / REMOVAL WITH PATENTED T-LOCK
- GROOVED CHANNEL ALLOWS STRAIGHT DROP IN SASH INSTALLATION
- SPRING LOCK OPTION AVAILABLE FOR HIGHER LOCKING FORCE



DIMENSIONS ARE FOR REFERENCE ONLY AND ARE IN INCHES UNLESS OTHERWISE NOTED.
CONTACT OUR ENGINEERING DEPARTMENT WITH SPECIFIC APPLICATION QUESTIONS OR REQUIREMENTS.
NOT ALL COMBINATIONS LISTED ARE CURRENTLY STOCKED, EXTRA LEAD TIME MAY BE REQUIRED.