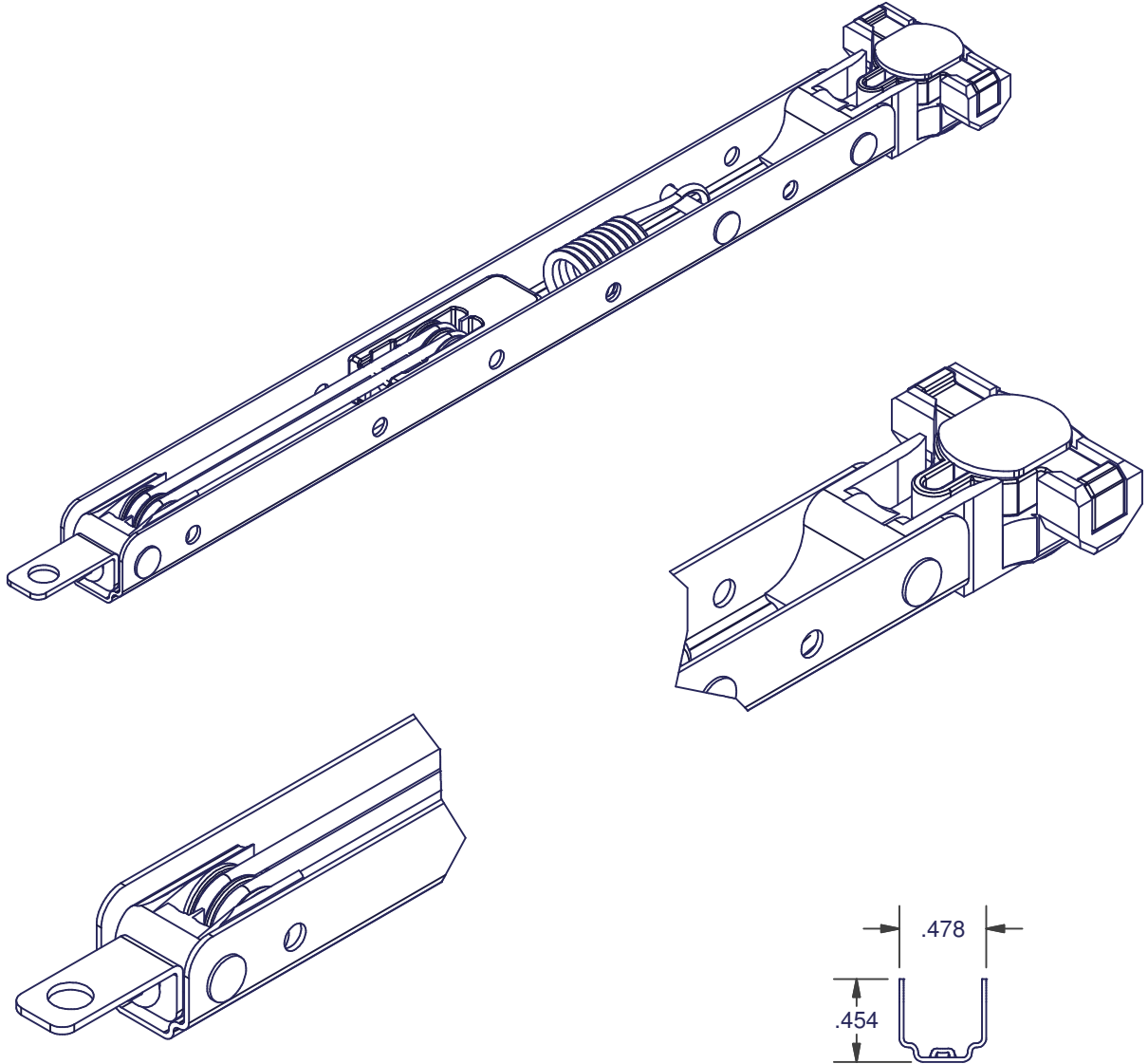

INVERTED TILT B&T BALANCE

841 SERIES

- AAMA 902-07 CERTIFIED
- FULL TRAVEL UP TO 36 LB SASH
- EASY INSTALLATION / REMOVAL WITH PATENTED T-LOCK



DIMENSIONS ARE FOR REFERENCE ONLY AND ARE IN INCHES UNLESS OTHERWISE NOTED.
CONTACT OUR ENGINEERING DEPARTMENT WITH SPECIFIC APPLICATION QUESTIONS OR REQUIREMENTS.
NOT ALL COMBINATIONS LISTED ARE CURRENTLY STOCKED, EXTRA LEAD TIME MAY BE REQUIRED.