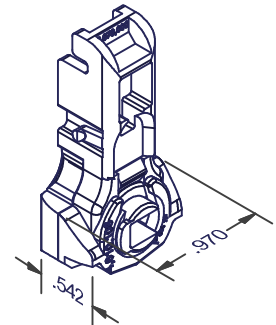
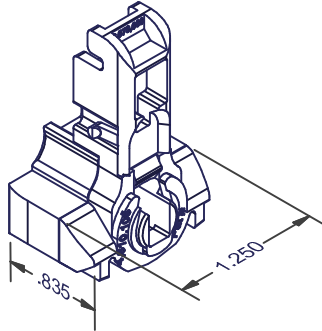
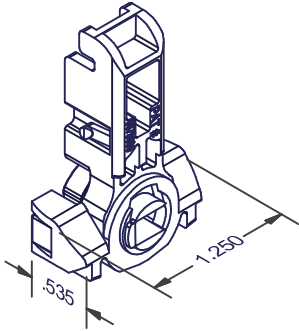


# INVERTED B&T BALANCE ACCESSORIES

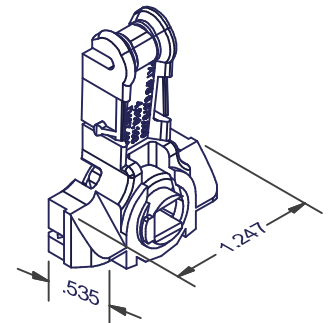
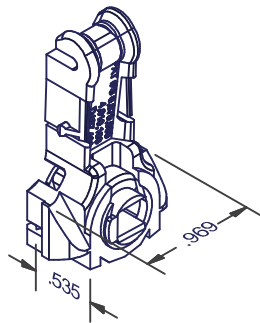
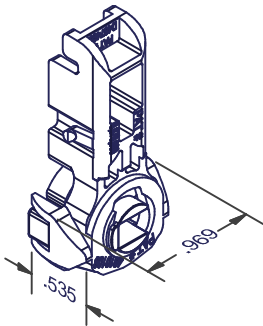
## TILT SHOES



T-LOCK / MOLDED SPRING			
ITEM	EXT.	PUCK	CAM
7003	1.330"	WHITE	OPEN
70039	1.330"	WHITE	TWIN TAB OPEN
7006	1.330"	WHITE	CLOSED
7007	1.360"	BLACK	CLOSED
7008	1.375"	BLUE	CLOSED
7009	1.360"	BLACK	OPEN
70888	1.375"	BLUE	OPEN

T-LOCK / FRONT-TO-BACK			
ITEM	EXT.	PUCK	CAM
7010	0.900"	FRONT-TO-BACK	OPEN

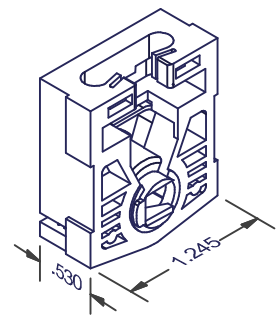
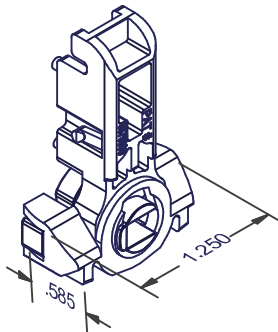
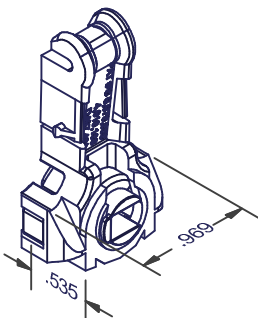
T-LOCK / FRONT-TO-BACK			
ITEM	EXT.	PUCK	CAM
70600	0.605"	FRONT-TO-BACK	OPEN



T-LOCK / MOLDED SPRING			
ITEM	EXT.	PUCK	CAM
70601	1.048"	GREEN	TWIN TAB OPEN
7066	1.048"	GREEN	CLOSED

T-LOCK / SPRING			
ITEM	EXT.	SPRING	CAM
70684	1.075"	OMEGA	CLOSED
76625	1.075"	OMEGA	INTERLOCKING

T-LOCK / SPRING			
ITEM	EXT.	SPRING	CAM
70700	1.360"	OMEGA	CLOSED
70750	1.360"	OMEGA	INTERLOCKING
73474	1.400"	OMEGA	INTERLOCKING
73903	1.400"	OMEGA	CLOSED



T-LOCK / MOLDED SPRING			
ITEM	EXT.	PUCK	CAM
70736	1.048"	GREEN	CLOSED
72581	1.048"	GREEN	CLOSED

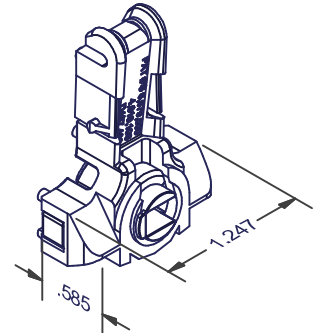
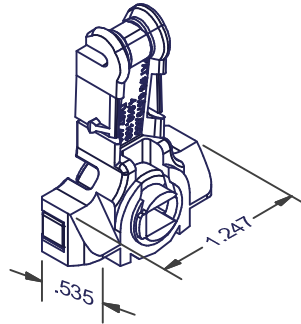
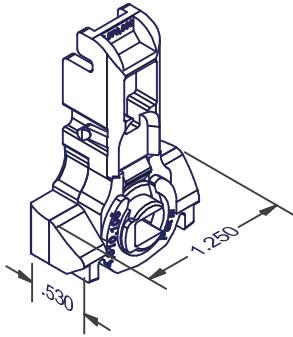
T-LOCK / MOLDED SPRING			
ITEM	EXT.	PUCK	CAM
7106	1.330"	WHITE	CLOSED
7107	1.360"	BLACK	CLOSED
7108	1.375"	BLUE	CLOSED

T-LOCK / SPRING			
ITEM	EXT.	SPRING	CAM
765	1.400"	OMEGA	CLOSED

DIMENSIONS ARE FOR REFERENCE ONLY AND ARE IN INCHES UNLESS OTHERWISE NOTED.  
 CONTACT OUR ENGINEERING DEPARTMENT WITH SPECIFIC APPLICATION QUESTIONS OR REQUIREMENTS.  
 NOT ALL COMBINATIONS LISTED ARE CURRENTLY STOCKED, EXTRA LEAD TIME MAY BE REQUIRED.

# INVERTED B&T BALANCE ACCESSORIES

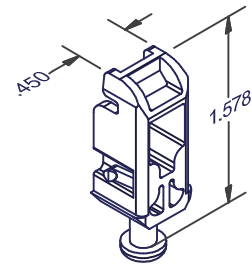
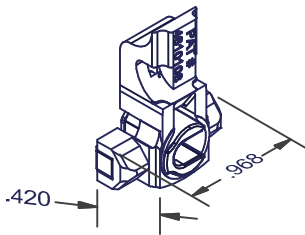
## TILT SHOES



T-LOCK / FRONT-TO BACK			
ITEM	EXT.	PUCK	CAM
7210	0.605"	FRONT-TO BACK	OPEN

T-LOCK / MOLDED SPRING			
ITEM	EXT.	PUCK	CAM
72280	1.330"	WHITE	OPEN
72285	1.375"	BLUE	CLOSED
72450	1.330"	WHITE	CLOSED
72452	1.330"	WHITE	TWIN TAB OPEN
72550	1.330"	WHITE	INTERLOCKING
73228	1.360"	BLACK	CLOSED

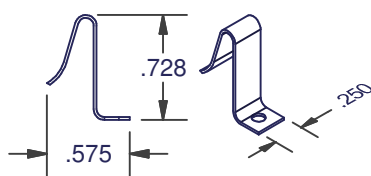
DROP-IN T-LOCK			
ITEM	EXT.	PUCK	CAM
72480	1.330"	WHITE	CLOSED



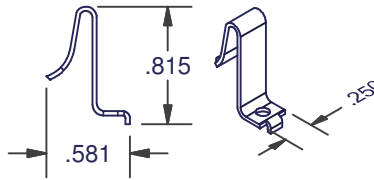
T-LOCK / MOLDED SPRING			
ITEM	EXT.	PUCK	CAM
73902	1.040"	WHITE	841 SERIES
73229	1.040"	WHITE	841 SERIES

523 = INVERTED LINK  
USE WITH 765 ONLY

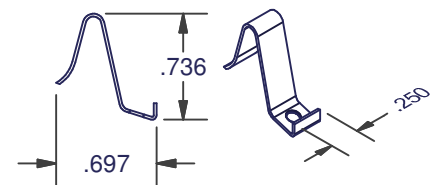
## CLIPS



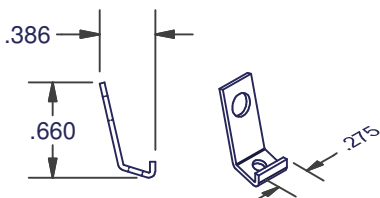
2799  
HANGER  
USE WITH REVERSE LACE



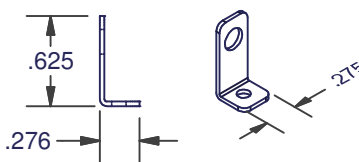
50333  
HANGER  
USE WITH REVERSE LACE



522  
FORM FIT HANGER  
USE WITH TRADITIONAL PULLEY



535  
FORM FIT SCREW-IN  
USE WITH TRADITIONAL PULLEY



5400  
SCREW-IN  
USE WITH REVERSE LACE

DIMENSIONS ARE FOR REFERENCE ONLY AND ARE IN INCHES UNLESS OTHERWISE NOTED.  
CONTACT OUR ENGINEERING DEPARTMENT WITH SPECIFIC APPLICATION QUESTIONS OR REQUIREMENTS.  
NOT ALL COMBINATIONS LISTED ARE CURRENTLY STOCKED, EXTRA LEAD TIME MAY BE REQUIRED.