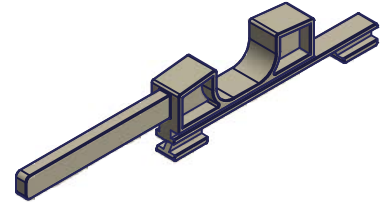
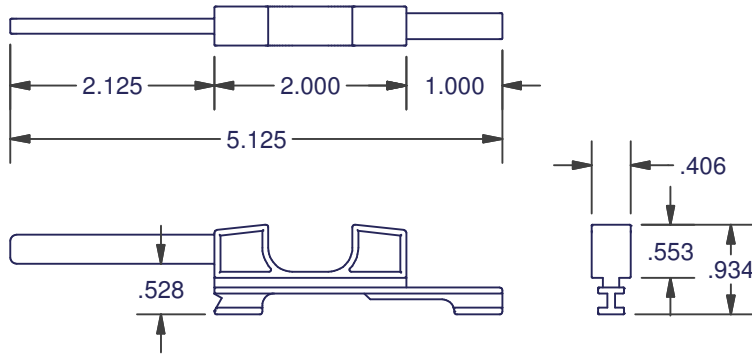


MISC. LOCKS

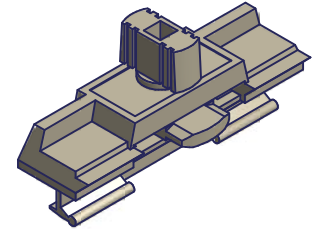
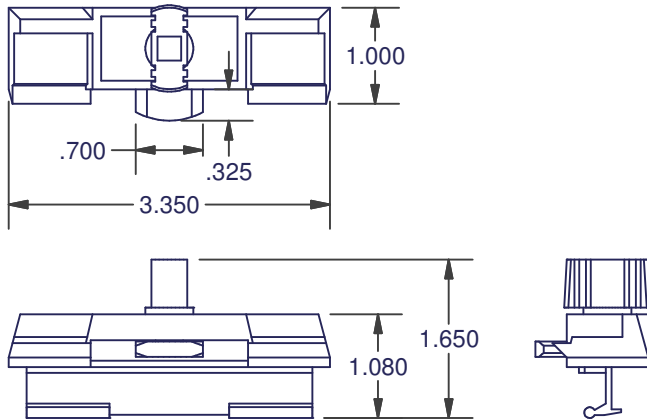
4737



AMESBURY ITEM #	REFERENCE ITEM #	COLOR
400105	4737-01SB	STANDARD BLACK
	4737-01MW	MW WHITE

MATERIAL: ZINC

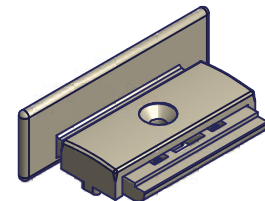
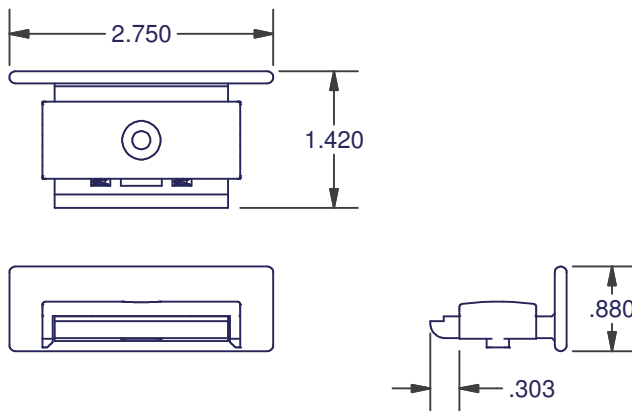
4741



AMESBURY ITEM #	REFERENCE ITEM #	COLOR
400107	4741-10SB	STANDARD BLACK
	4741-10MW	MW WHITE

MATERIAL: ZINC

8510



MATERIAL: NYLON
COLOR: BLACK

AMESBURY ITEM #	REFERENCE ITEM #
105103	8510

DIMENSIONS ARE FOR REFERENCE ONLY AND ARE IN INCHES UNLESS OTHERWISE NOTED.
CONTACT OUR ENGINEERING DEPARTMENT WITH SPECIFIC APPLICATION QUESTIONS OR REQUIREMENTS.
NOT ALL COMBINATIONS LISTED ARE CURRENTLY STOCKED, EXTRA LEAD TIME MAY BE REQUIRED.