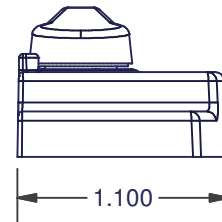
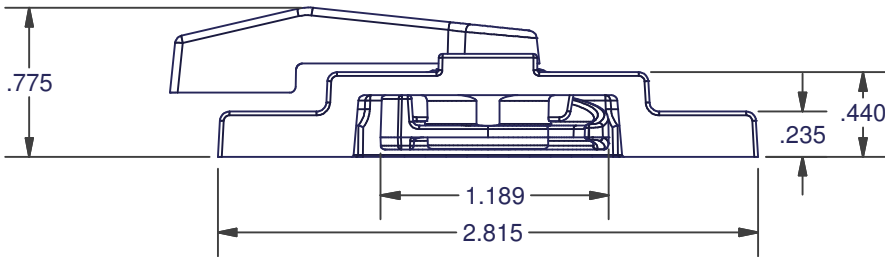
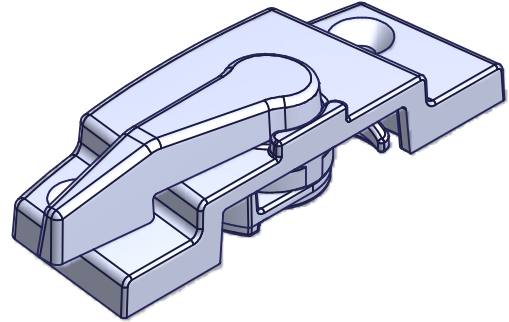
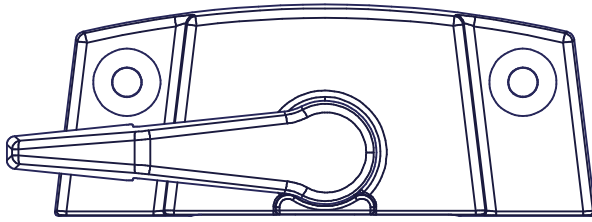


SASH LOCKS & KEEPERS

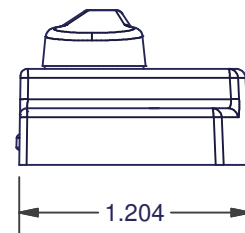
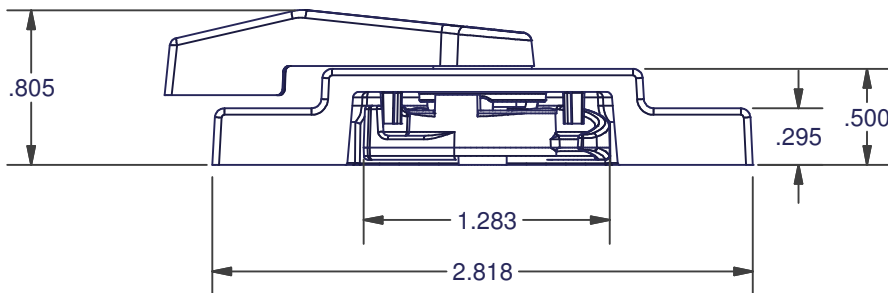
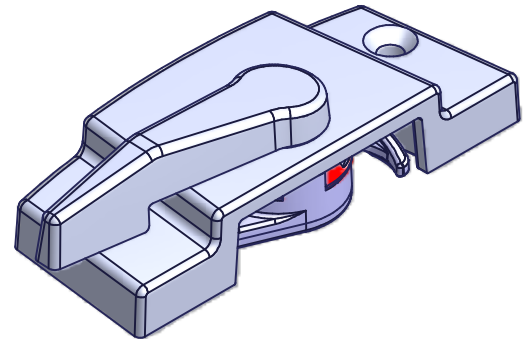
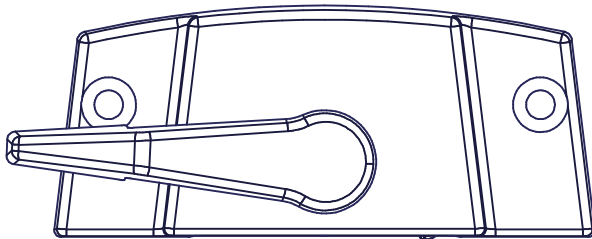
12927



LOCK PART #	HAND
12927	LEFT
12928	RIGHT
12903	KEEPER

NOTE: ALL COMPOSITE LOCK

13242



LOCK PART #	HAND
13242	RIGHT SHOWN
13243	LEFT
13068	KEEPER

NOTE: ALL COMPOSITE LOCK
ANTI-PICK FEATURES

DIMENSIONS ARE FOR REFERENCE ONLY AND ARE IN INCHES UNLESS OTHERWISE NOTED.
CONTACT OUR ENGINEERING DEPARTMENT WITH SPECIFIC APPLICATION QUESTIONS OR REQUIREMENTS.
NOT ALL COMBINATIONS LISTED ARE CURRENTLY STOCKED, EXTRA LEAD TIME MAY BE REQUIRED.