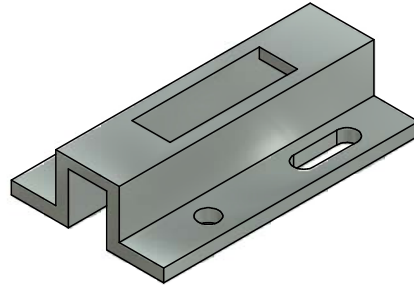
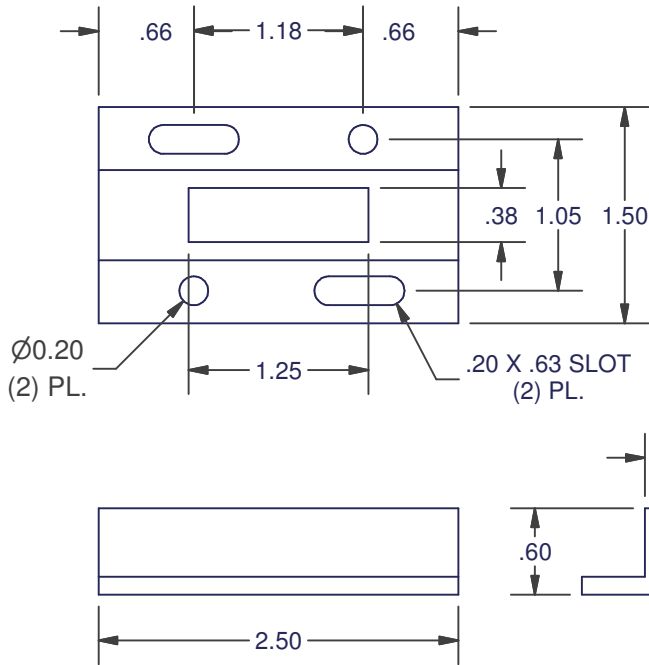


SLIDING DOOR KEEPERS

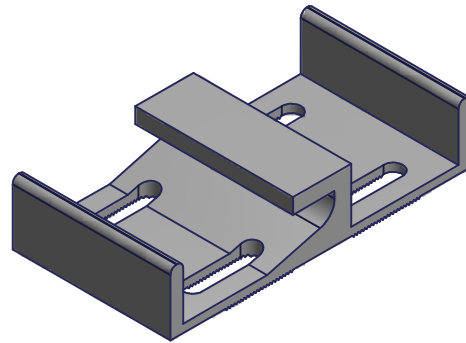
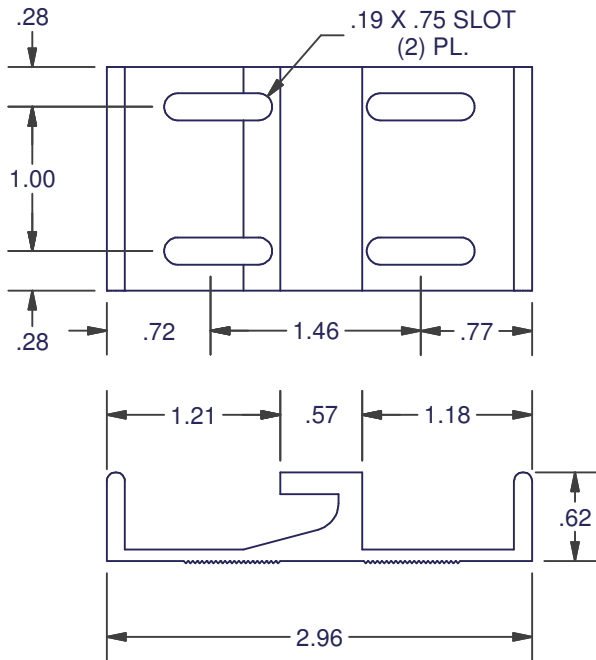
2534 SERIES SINGLE POINT BOX QTY: 50



KEEPER & INSTALLATION SCREWS		
FINISH	MATERIAL	ITEM #
SHIELD WHITE	ALUMINUM	ADH-3040-12
ALMOND	ALUMINUM	ADH-3040-MA
WHITE	ALUMINUM	ADH-3040-MW
STANDARD WHITE	ALUMINUM	ADH-3040-SW

KEEPER ONLY		
FINISH	MATERIAL	ITEM #
SHIELD WHITE	ALUMINUM	2534-1012
ALMOND	ALUMINUM	2534-10MA
WHITE	ALUMINUM	2534-10MW
STANDARD WHITE	ALUMINUM	2534-10SW

2538 SERIES SINGLE POINT BOX QTY: 50



KEEPER ONLY		
FINISH	MATERIAL	ITEM #
ALMOND	ALUMINUM	2538-10MA
WHITE	ALUMINUM	2538-10MW
STANDARD WHITE	ALUMINUM	2538-10SW

DIMENSIONS ARE FOR REFERENCE ONLY AND ARE IN INCHES UNLESS OTHERWISE NOTED.
CONTACT OUR ENGINEERING DEPARTMENT WITH SPECIFIC APPLICATION QUESTIONS OR REQUIREMENTS.
NOT ALL COMBINATIONS LISTED ARE CURRENTLY STOCKED, EXTRA LEAD TIME MAY BE REQUIRED.