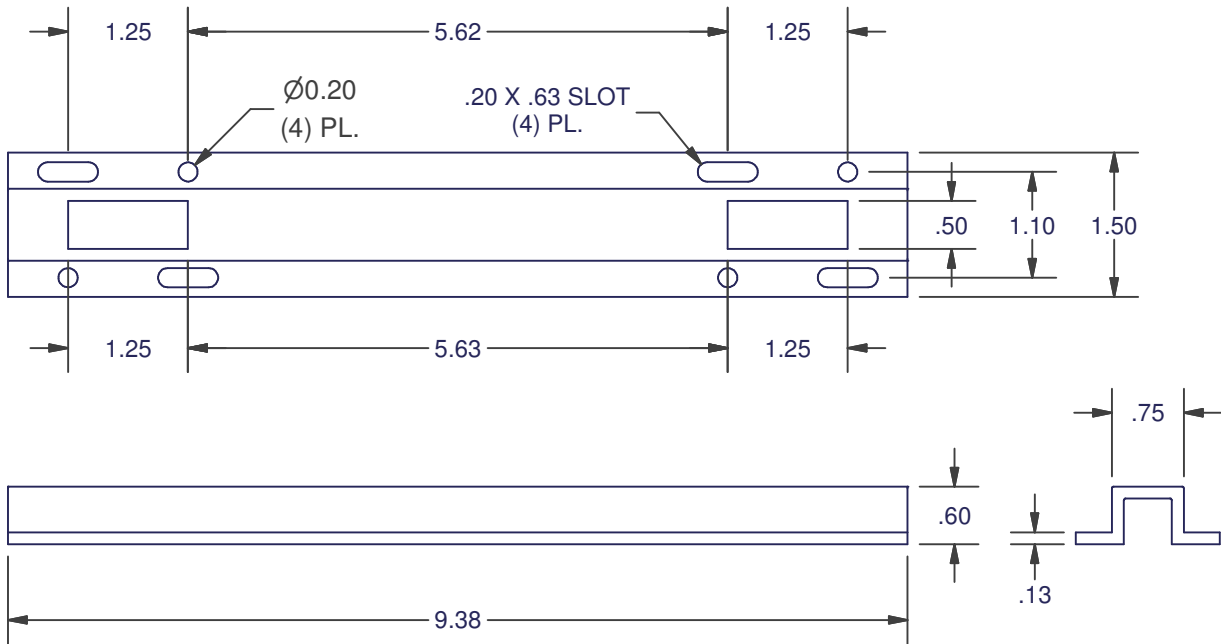
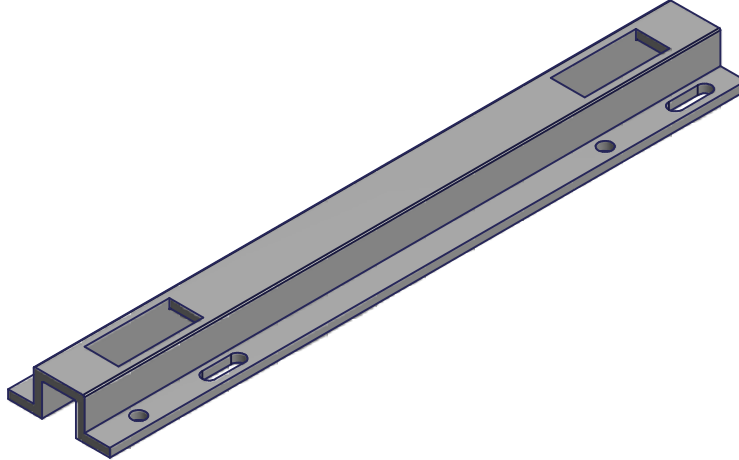


SLIDING DOOR KEEPERS

2541 SERIES
MULTI POINT
 BOX QTY: 50



| KEEPER ONLY | | |
|----------------|----------|-----------|
| FINISH | MATERIAL | ITEM # |
| STANDARD WHITE | ALUMINUM | 2541-10SW |

DIMENSIONS ARE FOR REFERENCE ONLY AND ARE IN INCHES UNLESS OTHERWISE NOTED.
 CONTACT OUR ENGINEERING DEPARTMENT WITH SPECIFIC APPLICATION QUESTIONS OR REQUIREMENTS.
 NOT ALL COMBINATIONS LISTED ARE CURRENTLY STOCKED, EXTRA LEAD TIME MAY BE REQUIRED.