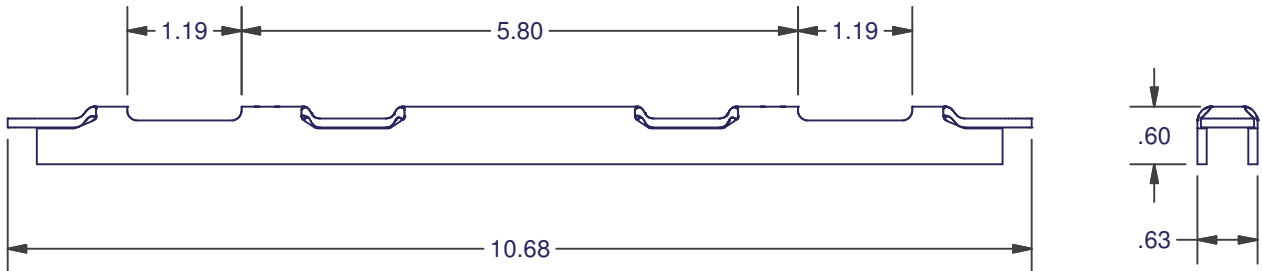
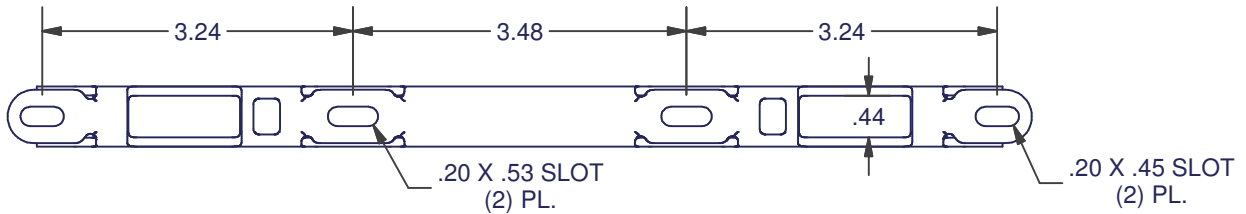
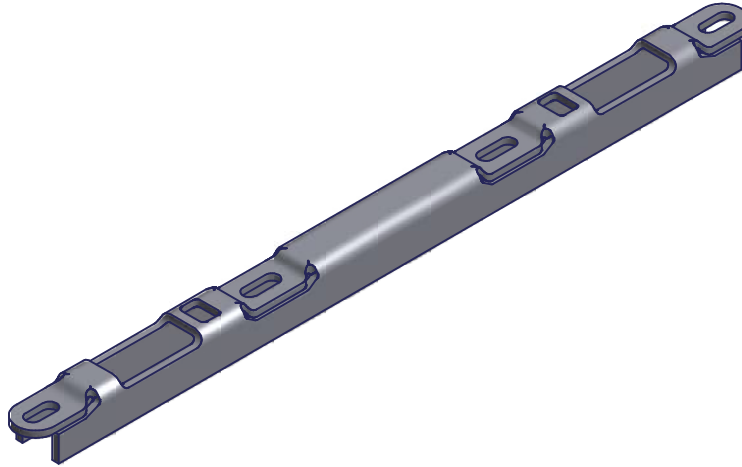


# SLIDING DOOR KEEPERS

**3143 SERIES**  
**MULTI POINT**  
 BOX QTY: 50



KEEPER & INSTALLATION SCREWS		
FINISH	MATERIAL	ITEM #
RAW	430 SS	ADH-3028-00
WET WHITE	430 SS	ADH-3028-01

KEEPER ONLY		
FINISH	MATERIAL	ITEM #
RAW	430 SS	3143
WET WHITE	430 SS	3143-01
VISION TAN	430 SS	3143-06
RAW	304 SS	3143-84

DIMENSIONS ARE FOR REFERENCE ONLY AND ARE IN INCHES UNLESS OTHERWISE NOTED.  
 CONTACT OUR ENGINEERING DEPARTMENT WITH SPECIFIC APPLICATION QUESTIONS OR REQUIREMENTS.  
 NOT ALL COMBINATIONS LISTED ARE CURRENTLY STOCKED, EXTRA LEAD TIME MAY BE REQUIRED.