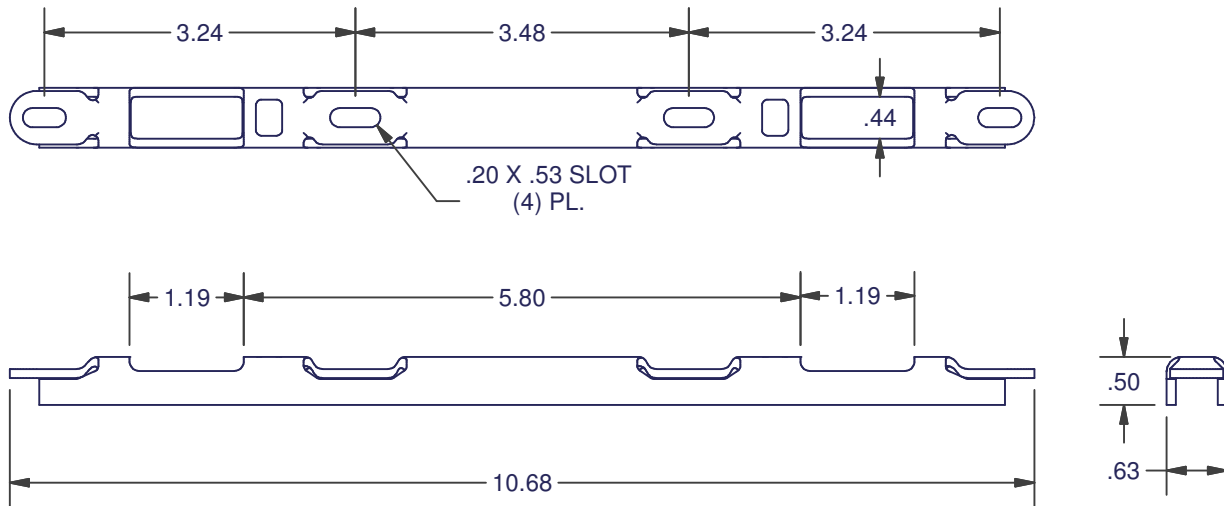
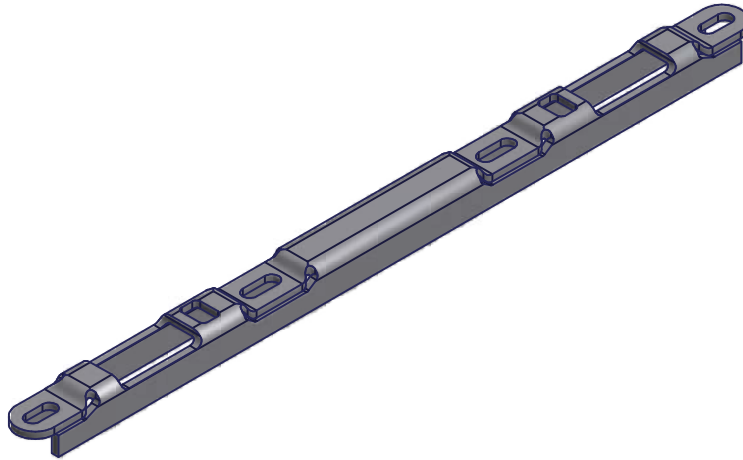


SLIDING DOOR KEEPERS

3145 SERIES
MULTI POINT
 BOX QTY: 50



KEEPER & INSTALLATION SCREWS		
FINISH	MATERIAL	ITEM #
RAW	430 SS	ADH-3137-00
WET WHITE	430 SS	ADH-3137-01
ALMOND	430 SS	ADH-3137-MA

KEEPER ONLY		
FINISH	MATERIAL	ITEM #
RAW	430 SS	3145
WET WHITE	430 SS	3145-01
ALMOND	430 SS	3145-MA

DIMENSIONS ARE FOR REFERENCE ONLY AND ARE IN INCHES UNLESS OTHERWISE NOTED.
 CONTACT OUR ENGINEERING DEPARTMENT WITH SPECIFIC APPLICATION QUESTIONS OR REQUIREMENTS.
 NOT ALL COMBINATIONS LISTED ARE CURRENTLY STOCKED, EXTRA LEAD TIME MAY BE REQUIRED.