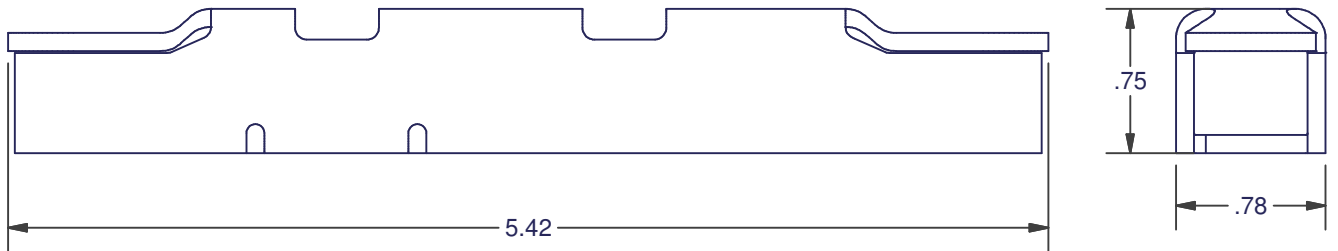
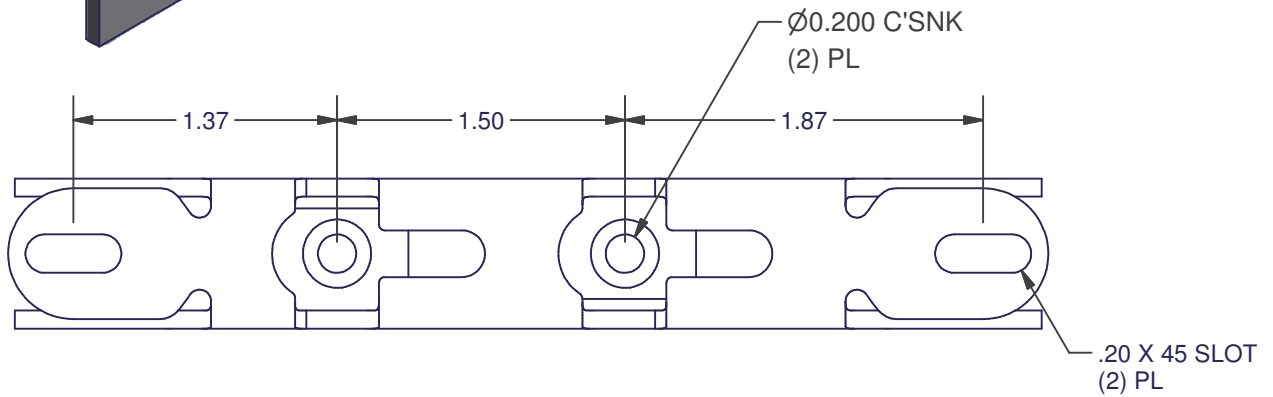
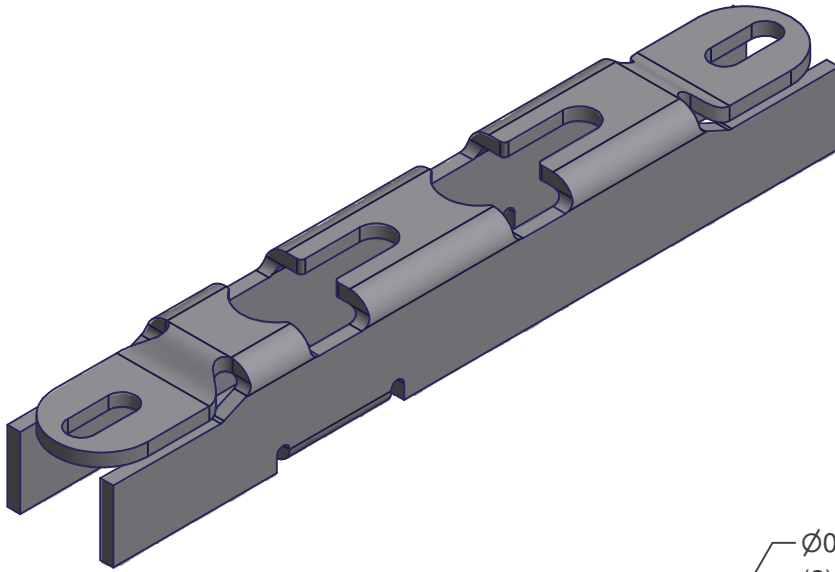


SLIDING DOOR KEEPERS

3488 SERIES
DUAL POINT
 BOX QTY: 50



KEEPER & INSTALLATION SCREWS	
MATERIAL	ITEM #
MILD STEEL	ADH-3302-63
304 SS	ADH-3302-84

KEEPER ONLY	
MATERIAL	ITEM #
MILD STEEL	3488-63
304 SS	3488-84

DIMENSIONS ARE FOR REFERENCE ONLY AND ARE IN INCHES UNLESS OTHERWISE NOTED.
 CONTACT OUR ENGINEERING DEPARTMENT WITH SPECIFIC APPLICATION QUESTIONS OR REQUIREMENTS.
 NOT ALL COMBINATIONS LISTED ARE CURRENTLY STOCKED, EXTRA LEAD TIME MAY BE REQUIRED.