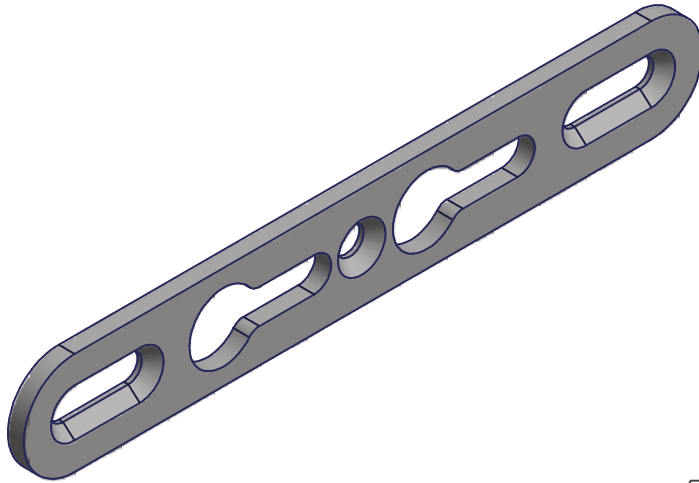


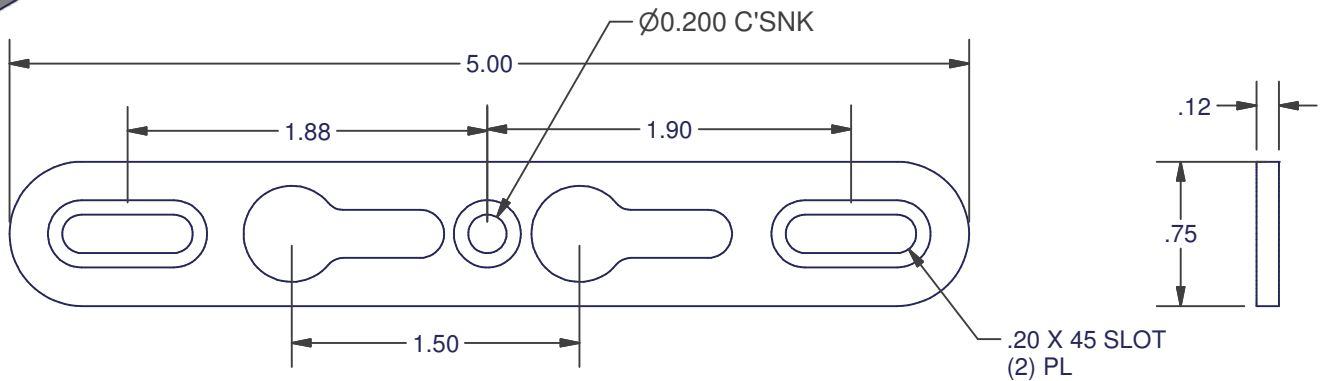
# SLIDING DOOR KEEPERS

**3490 SERIES**  
**DUAL POINT**  
 BOX QTY: 50



| KEEPER ONLY |             |
|-------------|-------------|
| MATERIAL    | ITEM #      |
| MILD STEEL  | ADH-3304-63 |
| 304 SS      | ADH-3304-84 |

| KEEPER ONLY |         |
|-------------|---------|
| MATERIAL    | ITEM #  |
| MILD STEEL  | 3490-63 |
| 304 SS      | 3490-84 |



DIMENSIONS ARE FOR REFERENCE ONLY AND ARE IN INCHES UNLESS OTHERWISE NOTED.  
 CONTACT OUR ENGINEERING DEPARTMENT WITH SPECIFIC APPLICATION QUESTIONS OR REQUIREMENTS.  
 NOT ALL COMBINATIONS LISTED ARE CURRENTLY STOCKED, EXTRA LEAD TIME MAY BE REQUIRED.