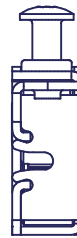
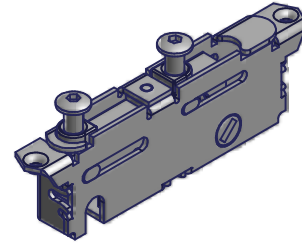
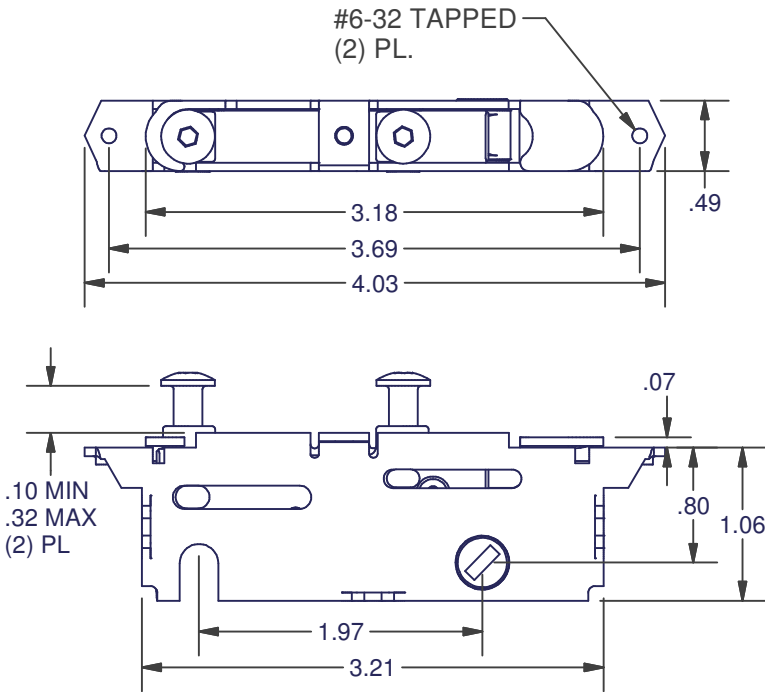


# SLIDING DOOR LOCKS

## 3410 SERIES

DUAL POINT  
BOX QTY: 100

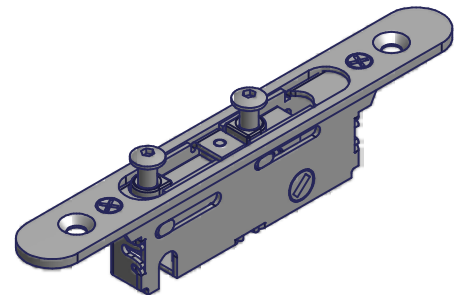
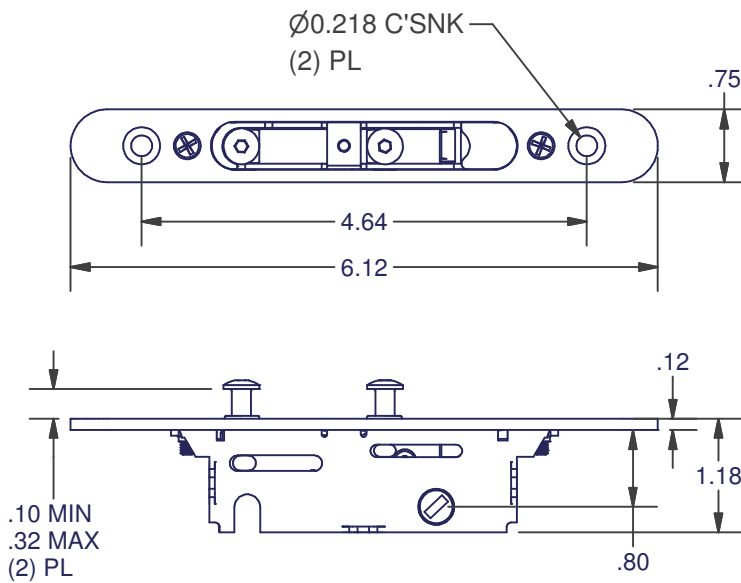


LOCK & INSTALLATION SCREWS	
MATERIAL	ITEM #
STEEL	ADH-3299-63
STAINLESS STEEL	ADH-3299-84

LOCK ONLY	
MATERIAL	ITEM #
STEEL	3410-63
STAINLESS STEEL	3410-84

## 3486 SERIES

DUAL POINT  
BOX QTY: 100



LOCK & INSTALLATION SCREWS	
MATERIAL	ITEM #
STEEL	ADH-3300-63
STAINLESS STEEL	ADH-3300-84

LOCK ONLY	
MATERIAL	ITEM #
STEEL	3486-63
STAINLESS STEEL	3486-84

3486 SERIES = 3410 LOCK + 1912 PLATE  
- SEE 3410 LOCK FOR DIMENSIONS

DIMENSIONS ARE FOR REFERENCE ONLY AND ARE IN INCHES UNLESS OTHERWISE NOTED.  
CONTACT OUR ENGINEERING DEPARTMENT WITH SPECIFIC APPLICATION QUESTIONS OR REQUIREMENTS.  
NOT ALL COMBINATIONS LISTED ARE CURRENTLY STOCKED, EXTRA LEAD TIME MAY BE REQUIRED.