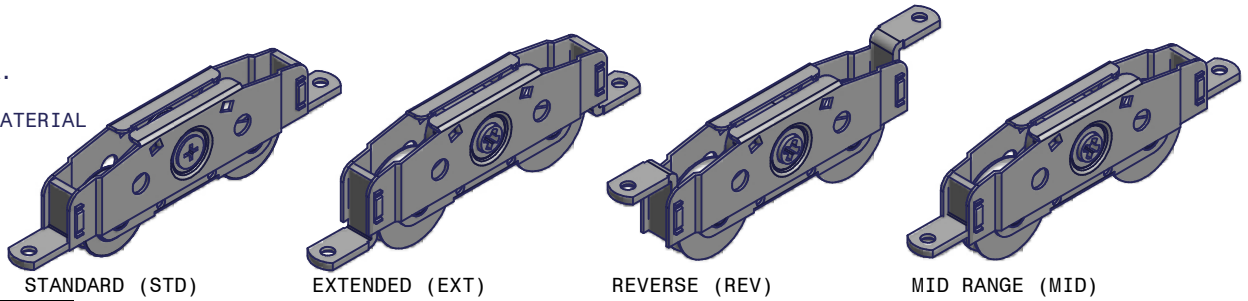


# SLIDING DOOR ROLLERS

QUOTE REQUEST INFORMATION:

- \_\_\_\_\_ = DOORS PER YEAR FORECAST
- \_\_\_\_\_ = MOUNTING OPTION
- \_\_\_\_\_ = HOUSING MATERIAL
- \_\_\_\_\_ = SHIM
- \_\_\_\_\_ = WHEEL DIA.
- \_\_\_\_\_ = BEARING MATERIAL

**1984 SERIES**  
**SIDE ADJUST TANDEM AXLE**  
 BOX QTY: 50



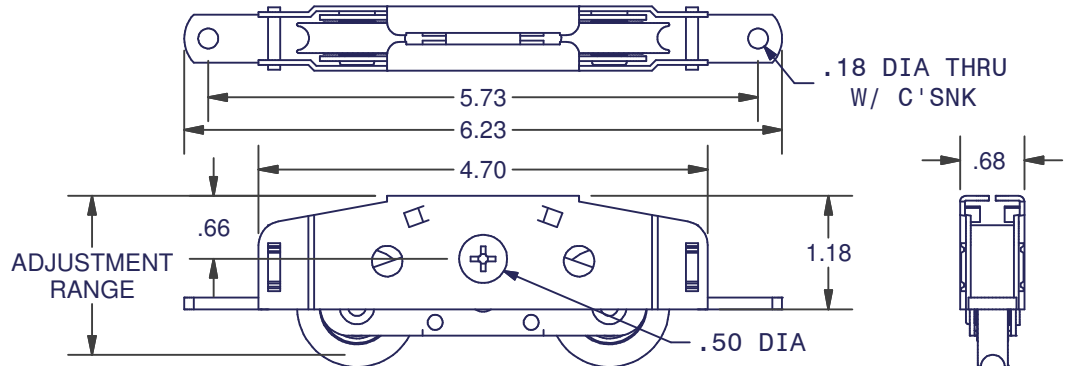
**MOUNTING OPTIONS**

**STANDARD (STD)**

**EXTENDED (EXT)**

**REVERSE (REV)**

**MID RANGE (MID)**



**SHIMS**

1984-11-00	1984-12-00	1984-13-00	1984-7-00	1984-20-00

MOST COMMON: STD, S, NONE, 1.250, S

MOUNTING OPTIONS	HOUSING MATERIAL	ALUMINUM SHIM	WHEEL DIA.	ADJUSTMENT RANGE	BEARING MATERIALS
STD	S, SS	NONE, 11, 12, 13, 20	1.25	1.37-1.68	PRS, PST, S, SS, TBN
			1.43	1.47-1.78	TBN, PRS, PST, S, SS
EXT	S, SS	NONE, 11, 12, 13, 20	1.25	1.37-1.68	PRS, PST, S, SS, TBN
			1.43	1.47-1.78	TBN, PRS, PST, S, SS
REV	S	NONE, 11, 12, 13, 20	1.25	1.37-1.68	PRS, PST, S, SS, TBN
			1.43	1.47-1.78	TBN, PRS, PST, S, SS
MID	SS	NONE, 07	1.43	1.47-1.78	SS

**LEGEND**

CODE	DESCRIPTION	CODE	DESCRIPTION
TBN	NYLON WHEEL W/ STEEL BEARING	S	MILD STEEL W/ YZD PLATING WHEEL & BEARING
BNSS	NYLON WHEEL W/ STAINLESS STEEL BEARING	PST	STEEL WHEEL W/ PRECISION BEARING
PRN	NYLON WHEEL W/ PRECISION BEARING	SS	STAINLESS STEEL WHEEL & BEARING
		PRS	STAINLESS STEEL WHEEL W/ PRECISION BEARING

DIMENSIONS ARE FOR REFERENCE ONLY AND ARE IN INCHES UNLESS OTHERWISE NOTED.  
 CONTACT OUR ENGINEERING DEPARTMENT WITH SPECIFIC APPLICATION QUESTIONS OR REQUIREMENTS.  
 NOT ALL COMBINATIONS LISTED ARE CURRENTLY STOCKED, EXTRA LEAD TIME MAY BE REQUIRED.