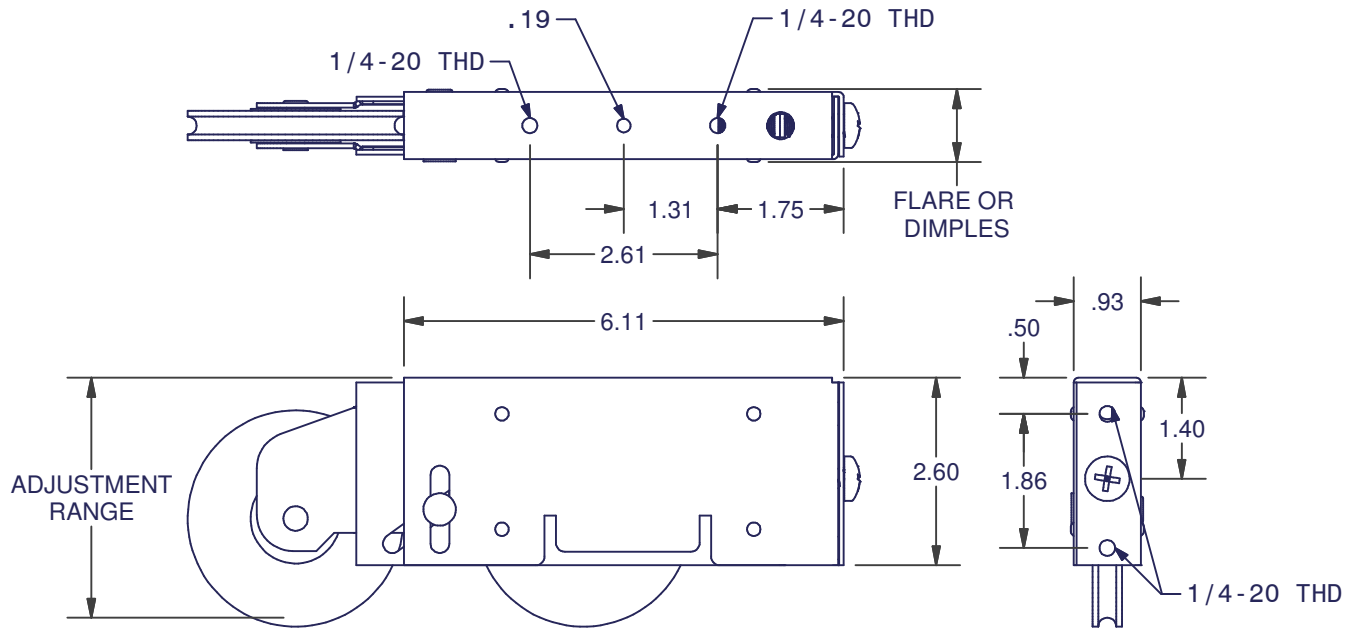
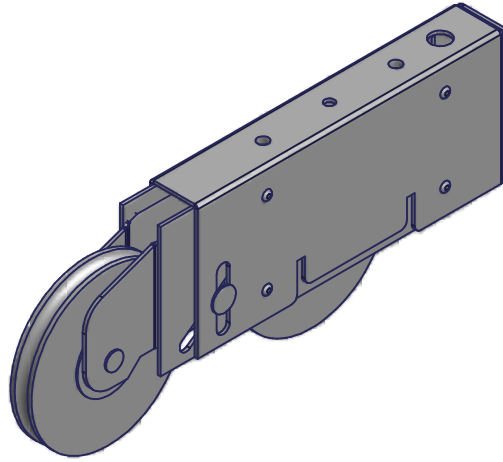


SLIDING DOOR ROLLERS

QUOTE REQUEST INFORMATION:

- _____ = DOORS PER YEAR FORECAST
- _____ = WHEEL DIA
- _____ = HOUSING WIDTH

1997 SERIES
END ADJUST TANDEM AXLE
 BOX QTY: 50



HOUSING MATERIAL	HOUSING WIDTH	WHEEL DIA.	ADJUSTMENT RANGE	BEARING MATERIALS
SS	DIMPLES 1.01	3.00	3.33-4.26	PRS
	DIMPLES 1.01	3.25	3.45-4.38	PRS
	FLARE 1.15	3.00	3.33-4.26	PRS
	FLARE 1.045	3.00	3.33-4.26	PRS

LEGEND			
CODE	DESCRIPTION	CODE	DESCRIPTION
TBN	NYLON WHEEL W/ STEEL BEARING	S	MILD STEEL W/ YZD PLATING WHEEL & BEARING
BNSS	NYLON WHEEL W/ STAINLESS STEEL BEARING	PST	STEEL WHEEL W/ PRECISION BEARING
PRN	NYLON WHEEL W/ PRECISION BEARING	SS	STAINLESS STEEL WHEEL & BEARING
		PRS	STAINLESS STEEL WHEEL W/ PRECISION BEARING

DIMENSIONS ARE FOR REFERENCE ONLY AND ARE IN INCHES UNLESS OTHERWISE NOTED.
 CONTACT OUR ENGINEERING DEPARTMENT WITH SPECIFIC APPLICATION QUESTIONS OR REQUIREMENTS.
 NOT ALL COMBINATIONS LISTED ARE CURRENTLY STOCKED, EXTRA LEAD TIME MAY BE REQUIRED.