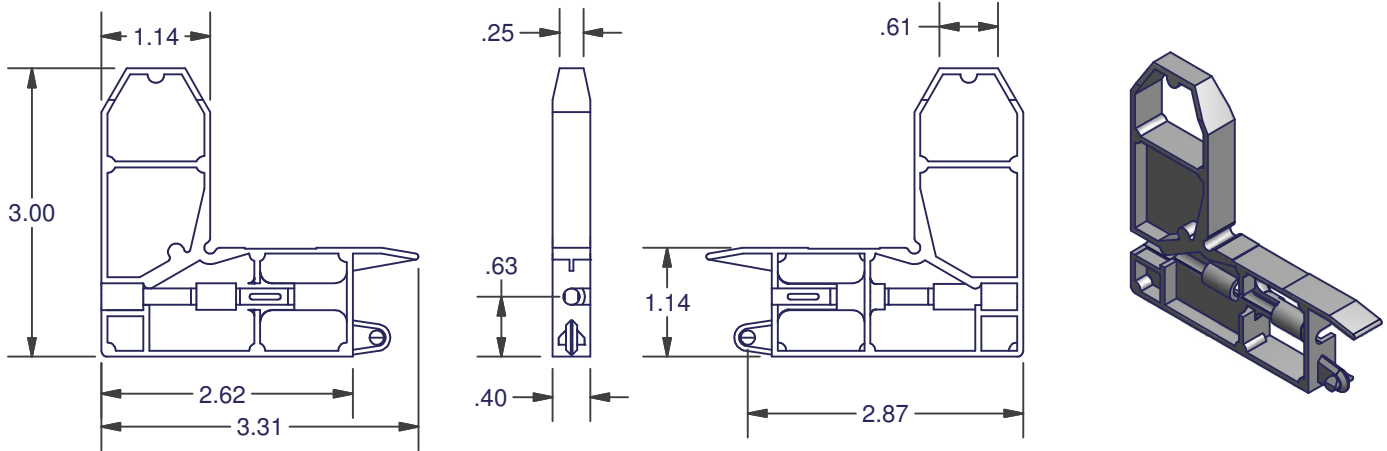


SLIDING SCREEN DOOR

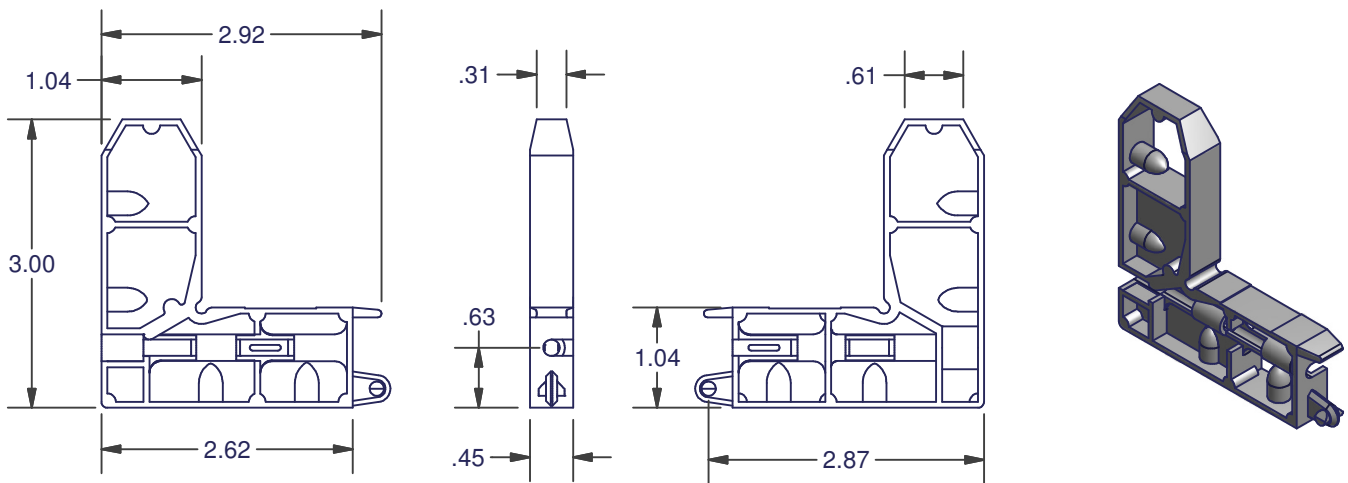
CORNERS 4875 SERIES



ALSO USED WITH 4876 ROLLER
AS A CORNER / ROLLER ASSEMBLY.

MATERIAL	ITEM #
DIE CAST ZINC ZAMAC #3	4875-1063

4877 SERIES



ALSO USED WITH 4876 ROLLER
AS A CORNER / ROLLER ASSEMBLY.

MATERIAL	ITEM #
DIE CAST ZINC ZAMAC #3	4877-1063

DIMENSIONS ARE FOR REFERENCE ONLY AND ARE IN INCHES UNLESS OTHERWISE NOTED.
CONTACT OUR ENGINEERING DEPARTMENT WITH SPECIFIC APPLICATION QUESTIONS OR REQUIREMENTS.
NOT ALL COMBINATIONS LISTED ARE CURRENTLY STOCKED, EXTRA LEAD TIME MAY BE REQUIRED.