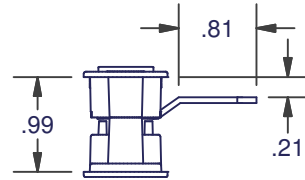
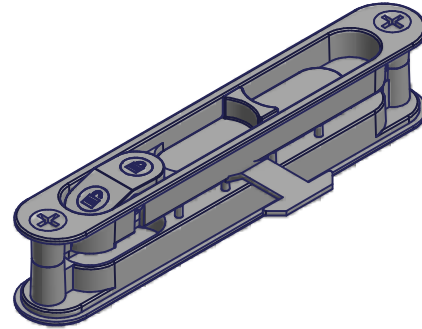
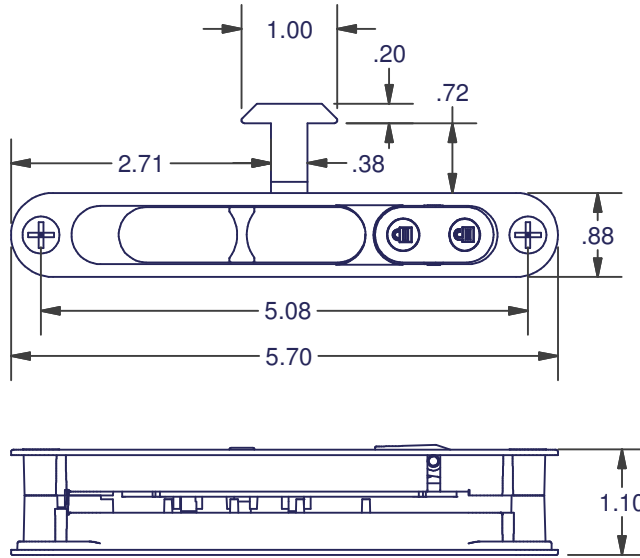


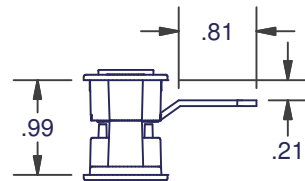
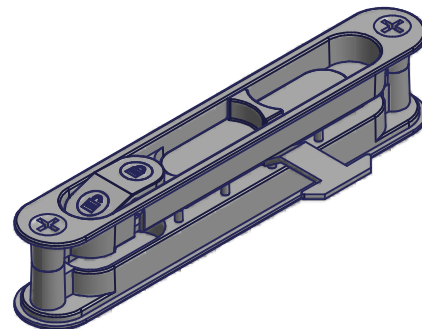
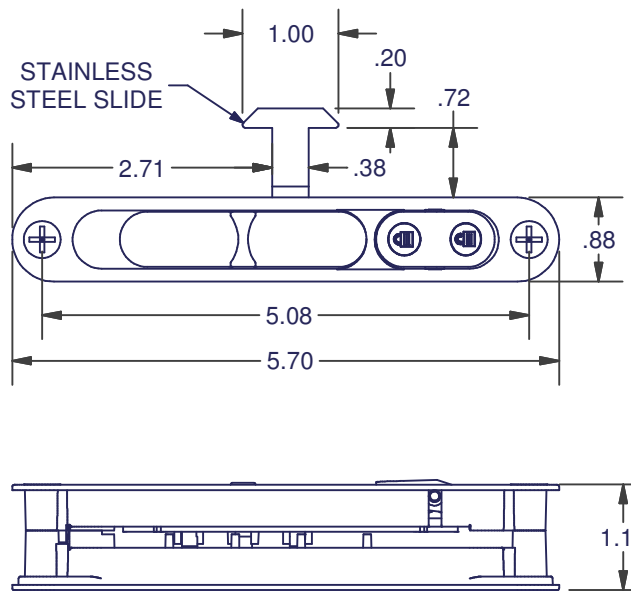
SLIDING SCREEN DOOR

LOCKS 4950 SERIES



FINISH	ITEM #
BLACK	4950-10SB
WHITE	4950-10SW

4951 SERIES



FINISH	ITEM #
BLACK	4951-10SB
WHITE	4951-10SW

DIMENSIONS ARE FOR REFERENCE ONLY AND ARE IN INCHES UNLESS OTHERWISE NOTED.
CONTACT OUR ENGINEERING DEPARTMENT WITH SPECIFIC APPLICATION QUESTIONS OR REQUIREMENTS.
NOT ALL COMBINATIONS LISTED ARE CURRENTLY STOCKED, EXTRA LEAD TIME MAY BE REQUIRED.