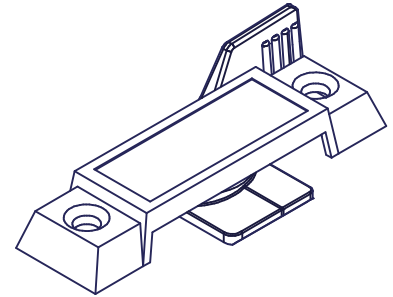
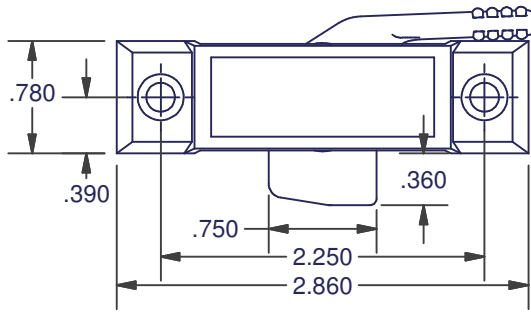
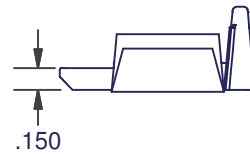
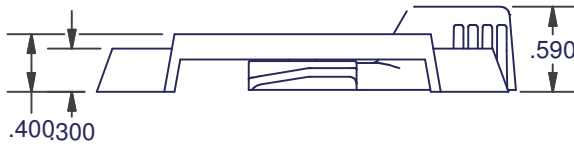


# SWEEP LOCKS

**400087**



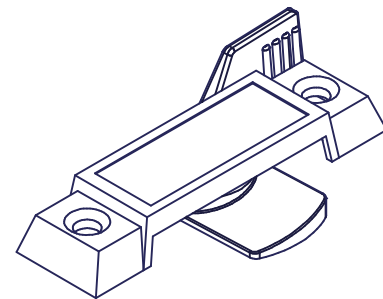
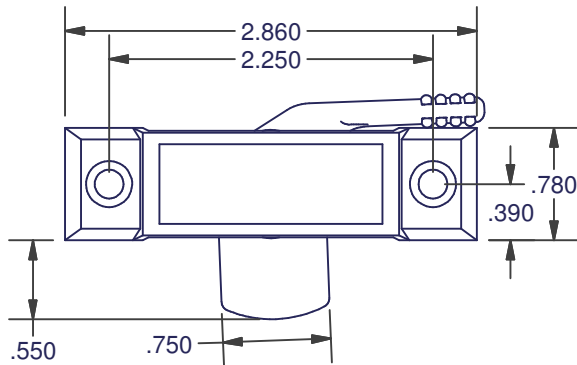
RIGHT HAND



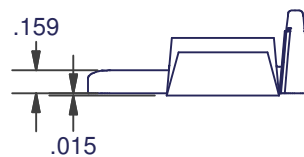
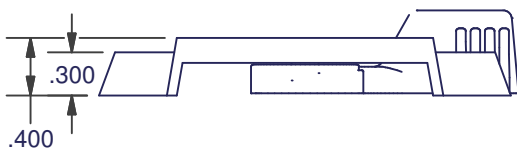
MATERIAL: ZINC

AMESBURY ITEM #	HAND
400087	RIGHT
400086	LEFT

**400370**



RIGHT HAND



MATERIAL: ZINC

AMESBURY ITEM #	HAND
400370	RIGHT
400371	LEFT

DIMENSIONS ARE FOR REFERENCE ONLY AND ARE IN INCHES UNLESS OTHERWISE NOTED.  
CONTACT OUR ENGINEERING DEPARTMENT WITH SPECIFIC APPLICATION QUESTIONS OR REQUIREMENTS.  
NOT ALL COMBINATIONS LISTED ARE CURRENTLY STOCKED, EXTRA LEAD TIME MAY BE REQUIRED.