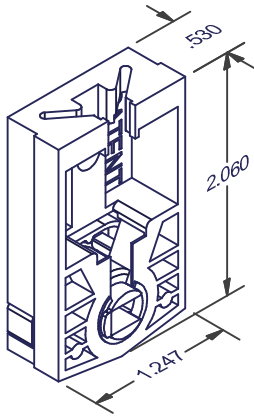


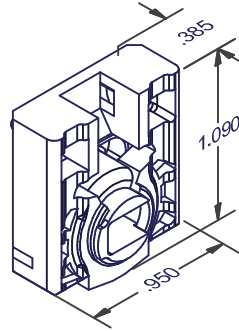
TILT BALANCE ACCESSORIES

TILT SHOES



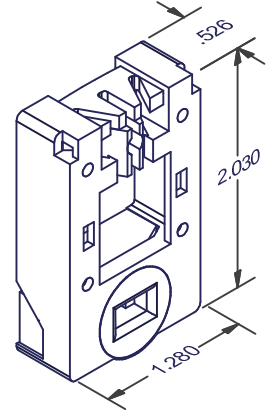
75335

WHITE PUCK / MOLDED PLATE



75551

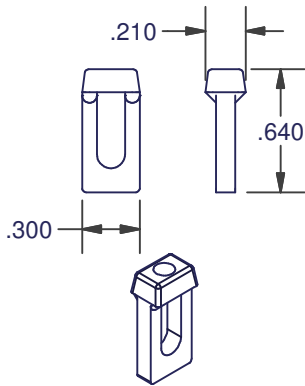
METAL SPRING / DIRECT TIE ON
USE WITH 3/8" BALANCE



92283

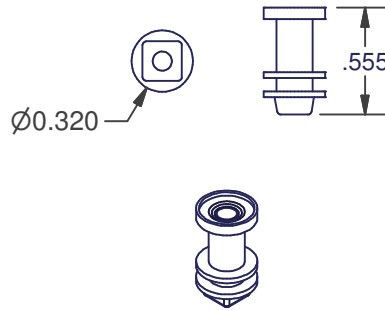
FRONT-TO-BACK / ZINC PLATE
USE WITH 242 OR 244 PIVOT

CLIPS



231

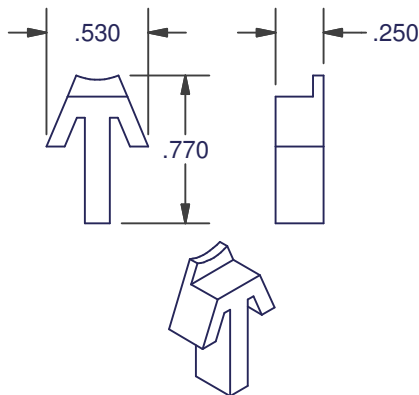
ZINC



51233

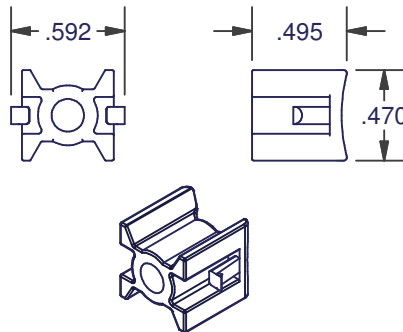
ZINC LINK

OTHER



148

NON-TAKOUT RETAINER



708

MOUNTING SCREW SUPPORT

DIMENSIONS ARE FOR REFERENCE ONLY AND ARE IN INCHES UNLESS OTHERWISE NOTED.
CONTACT OUR ENGINEERING DEPARTMENT WITH SPECIFIC APPLICATION QUESTIONS OR REQUIREMENTS.
NOT ALL COMBINATIONS LISTED ARE CURRENTLY STOCKED, EXTRA LEAD TIME MAY BE REQUIRED.