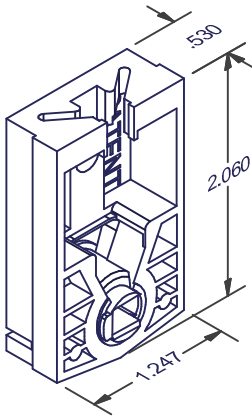
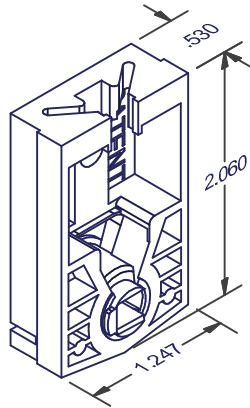


TILT BALANCE ACCESSORIES

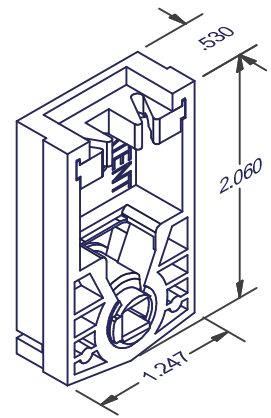
TILT SHOES



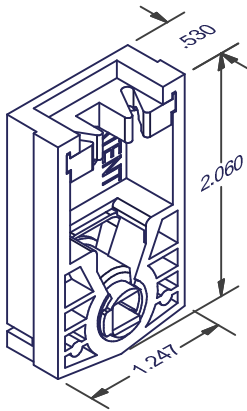
735
METAL SPRING / MOLDED PLATE



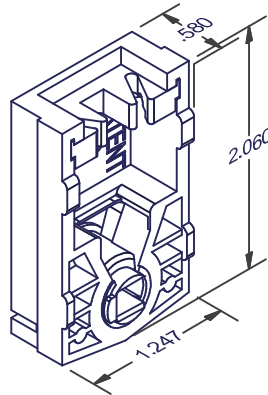
73504
METAL SPRING / MOLDED PLATE
INTERLOCKING CAM



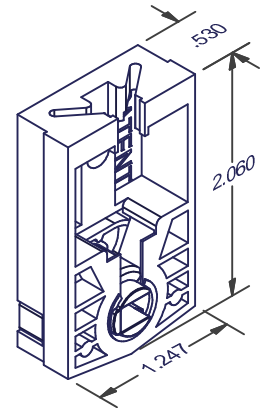
728C
METAL SPRING / ZINC PLATE



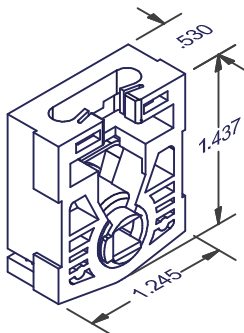
731 = TUFF LOCK
METAL SPRING / ZINC PLATE



733
METAL SPRING / ZINC PLATE



7335
BLUE PUCK / MOLDED PLATE

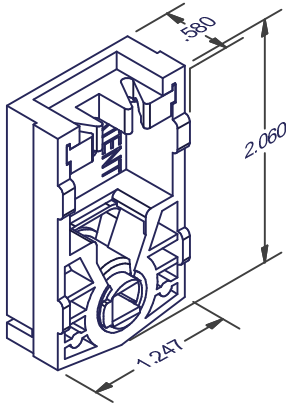


765
METAL SPRING / MOLDED PLATE
USE WITH 51233 CLIP

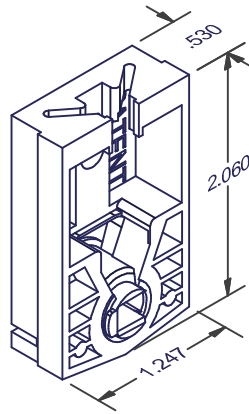
DIMENSIONS ARE FOR REFERENCE ONLY AND ARE IN INCHES UNLESS OTHERWISE NOTED.
CONTACT OUR ENGINEERING DEPARTMENT WITH SPECIFIC APPLICATION QUESTIONS OR REQUIREMENTS.
NOT ALL COMBINATIONS LISTED ARE CURRENTLY STOCKED, EXTRA LEAD TIME MAY BE REQUIRED.

TILT BALANCE ACCESSORIES

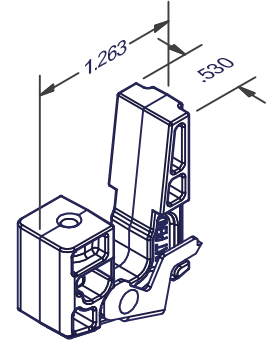
TILT SHOES



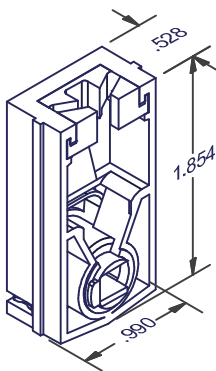
7300
METAL SPRING / ZINC PLATE



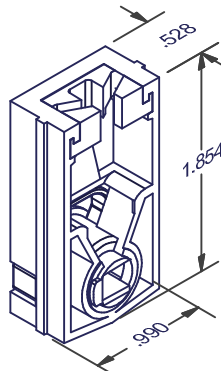
7355 = SUPER TUFF
METAL SPRING / MOLDED PLATE



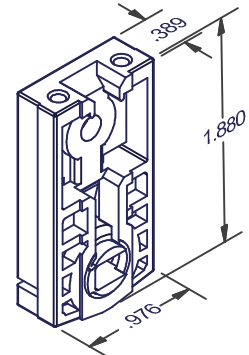
7380
SURE LOCK



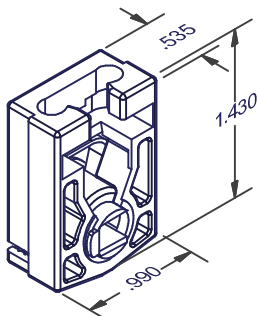
7500
METAL SPRING / ZINC PLATE



7600
RED PUCK / ZINC PLATE



75330
METAL SPRING / DIRECT TIE ON

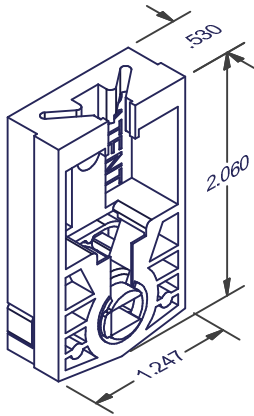


72490
METAL SPRING / MOLDED PLATE
USE WITH 51233 CLIP

DIMENSIONS ARE FOR REFERENCE ONLY AND ARE IN INCHES UNLESS OTHERWISE NOTED.
CONTACT OUR ENGINEERING DEPARTMENT WITH SPECIFIC APPLICATION QUESTIONS OR REQUIREMENTS.
NOT ALL COMBINATIONS LISTED ARE CURRENTLY STOCKED, EXTRA LEAD TIME MAY BE REQUIRED.

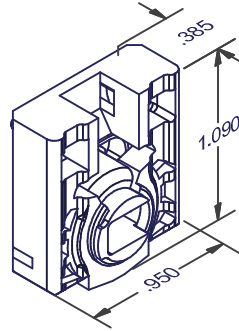
TILT BALANCE ACCESSORIES

TILT SHOES



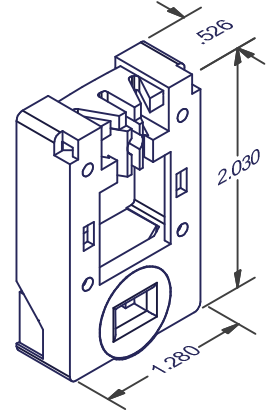
75335

WHITE PUCK / MOLDED PLATE



75551

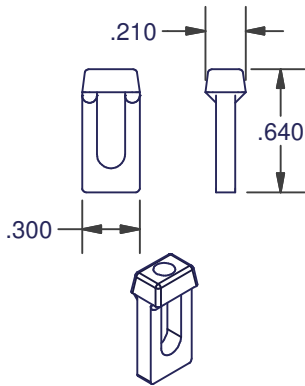
METAL SPRING / DIRECT TIE ON
USE WITH 3/8" BALANCE



92283

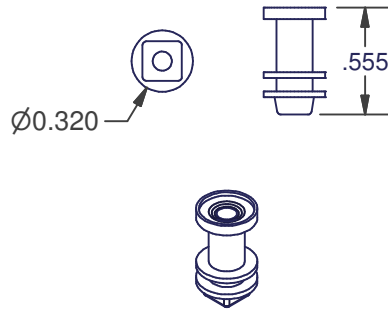
FRONT-TO-BACK / ZINC PLATE
USE WITH 242 OR 244 PIVOT

CLIPS



231

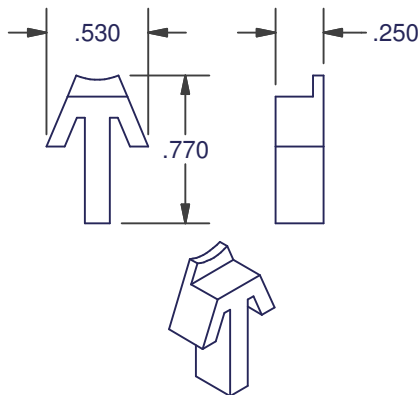
ZINC



51233

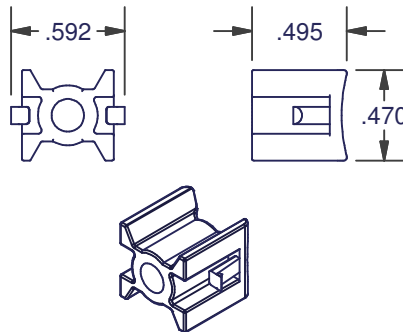
ZINC LINK

OTHER



148

NON-TAKOUT RETAINER



708

MOUNTING SCREW SUPPORT

DIMENSIONS ARE FOR REFERENCE ONLY AND ARE IN INCHES UNLESS OTHERWISE NOTED.
CONTACT OUR ENGINEERING DEPARTMENT WITH SPECIFIC APPLICATION QUESTIONS OR REQUIREMENTS.
NOT ALL COMBINATIONS LISTED ARE CURRENTLY STOCKED, EXTRA LEAD TIME MAY BE REQUIRED.