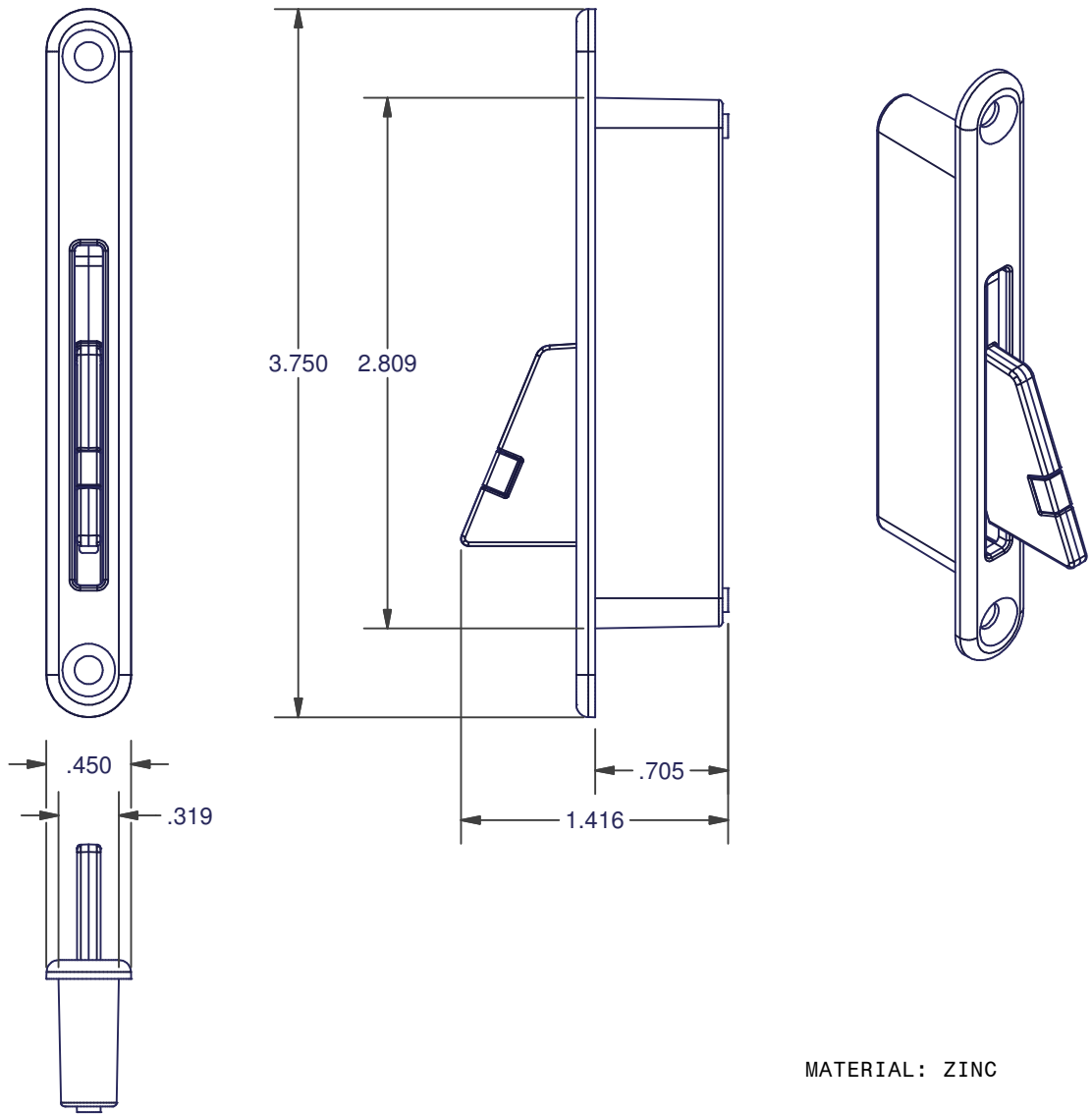


WINDOW OPENING CONTROL DEVICES

- FABRICATION HOLE SIZE:
2.875" X 0.343"

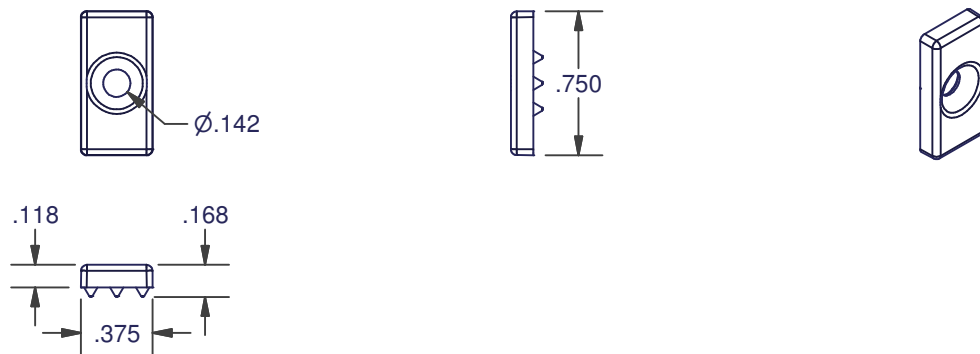
- FOR WOOD WINDOWS

W OCD 12814



MATERIAL: ZINC

12813



MATERIAL: ZINC

DIMENSIONS ARE FOR REFERENCE ONLY AND ARE IN INCHES UNLESS OTHERWISE NOTED.
CONTACT OUR ENGINEERING DEPARTMENT WITH SPECIFIC APPLICATION QUESTIONS OR REQUIREMENTS.
NOT ALL COMBINATIONS LISTED ARE CURRENTLY STOCKED, EXTRA LEAD TIME MAY BE REQUIRED.