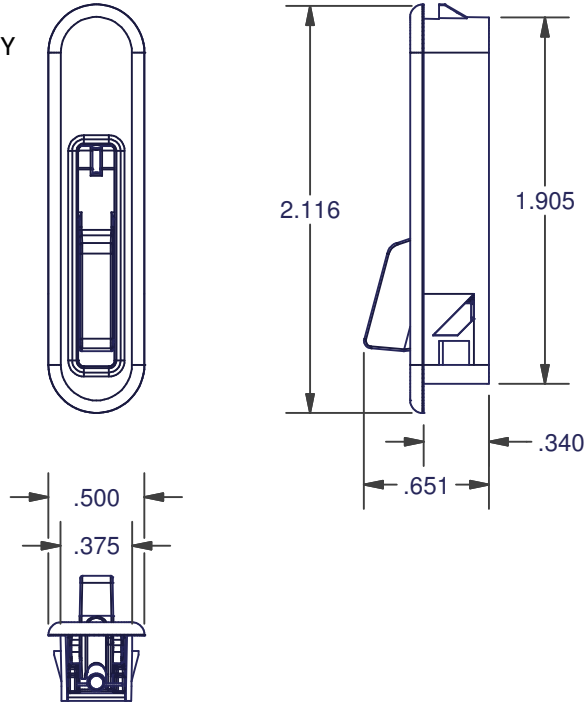


WINDOW OPENING CONTROL DEVICES

- FABRICATION HOLE SIZE:
2.000" X 0.375"

W OCD 12887

- USE WITH COMPOSITE WINDOWS ONLY

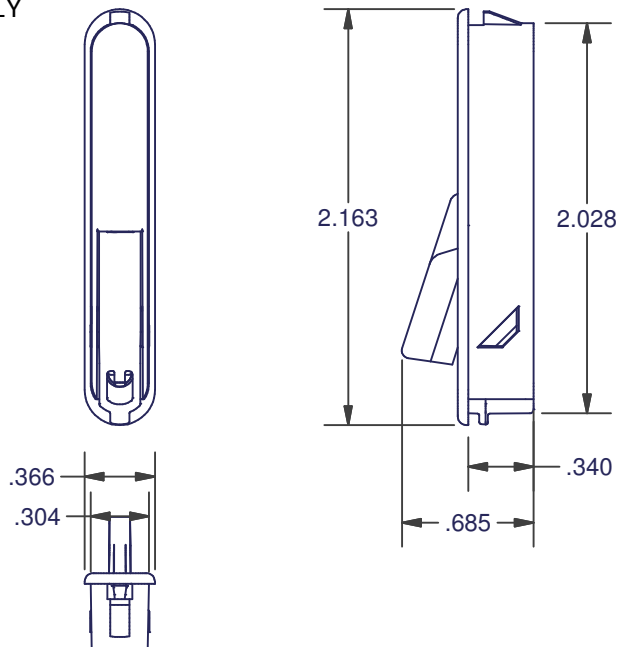


MATERIAL: COMPOSITE

- FABRICATION HOLE SIZE:
2.045" X 0.313"

W OCD 13070

- USE WITH COMPOSITE WINDOWS ONLY



MATERIAL: COMPOSITE

DIMENSIONS ARE FOR REFERENCE ONLY AND ARE IN INCHES UNLESS OTHERWISE NOTED.
CONTACT OUR ENGINEERING DEPARTMENT WITH SPECIFIC APPLICATION QUESTIONS OR REQUIREMENTS.
NOT ALL COMBINATIONS LISTED ARE CURRENTLY STOCKED, EXTRA LEAD TIME MAY BE REQUIRED.