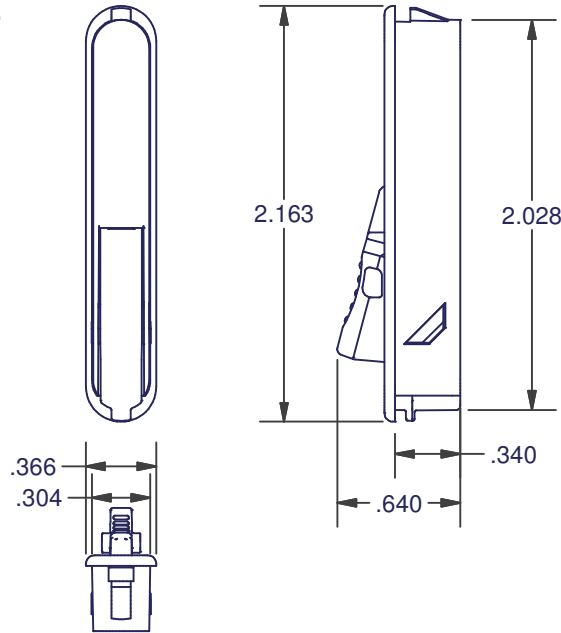


WINDOW OPENING CONTROL DEVICES

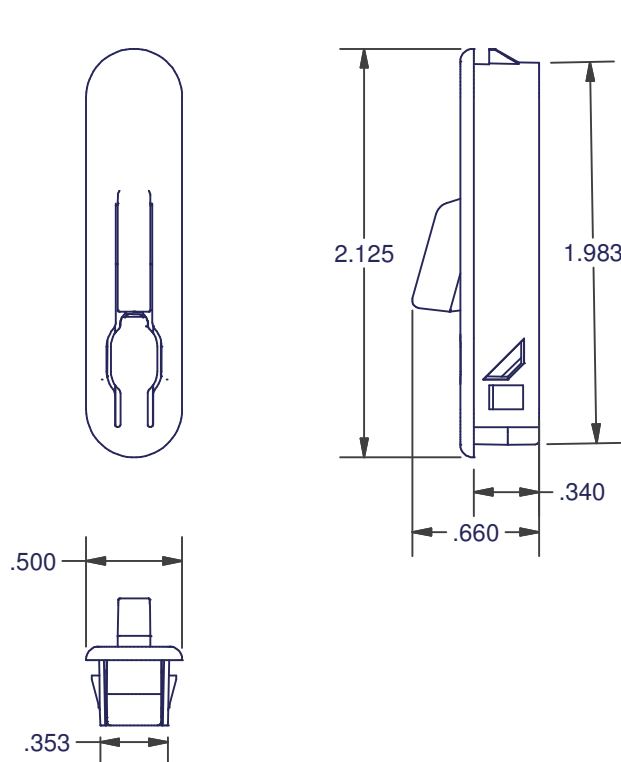
W OCD 12936

- FABRICATION HOLE SIZE:
2.045" X 0.313"
- USE WITH COMPOSITE GLIDER WINDOWS ONLY
- * AVAILABLE 1ST QUARTER 2013



MATERIAL: COMPOSITE

NIGHT LATCH 13183



MATERIAL: COMPOSITE

DIMENSIONS ARE FOR REFERENCE ONLY AND ARE IN INCHES UNLESS OTHERWISE NOTED.
CONTACT OUR ENGINEERING DEPARTMENT WITH SPECIFIC APPLICATION QUESTIONS OR REQUIREMENTS.
NOT ALL COMBINATIONS LISTED ARE CURRENTLY STOCKED, EXTRA LEAD TIME MAY BE REQUIRED.