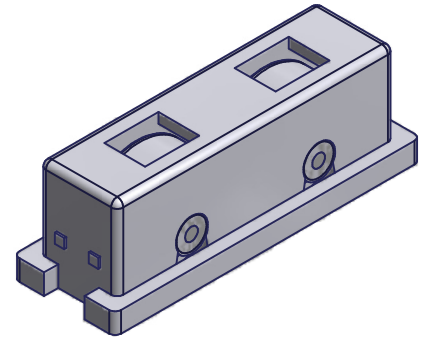
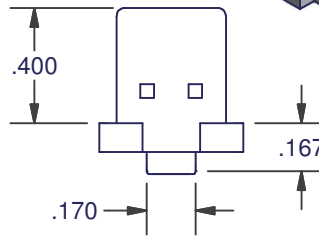
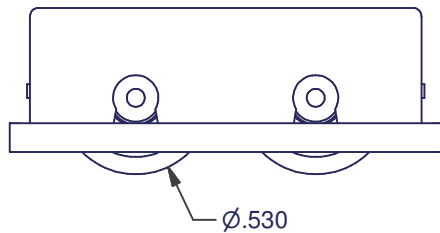
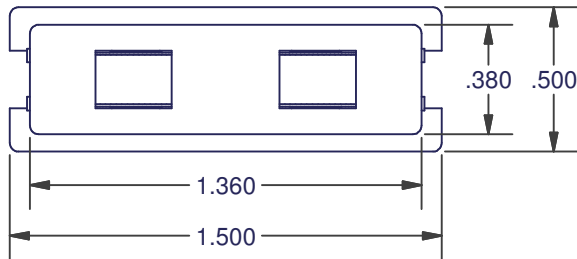


WINDOW ROLLERS

- CAN BE SHIPPED UNASSEMBLED

4231

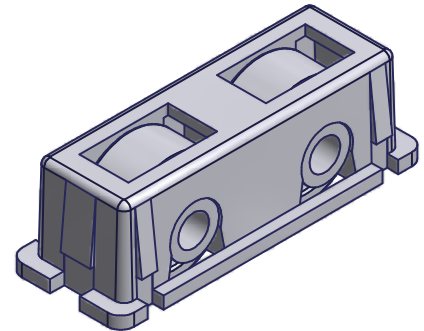
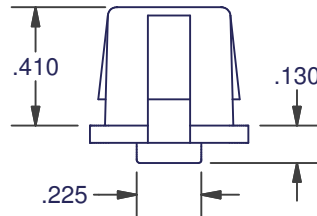
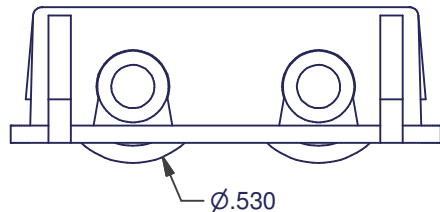
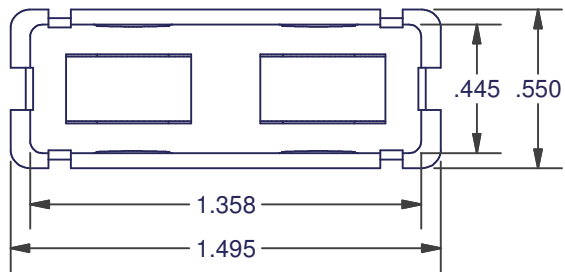


AMESBURY ITEM #	REFERENCE ITEM #	MATERIAL		
		HOUSING	ROLLER	AXLE
400147	4231-1000	NYLON	CELCON	STAINLESS STEEL
400148	4231-1000B	NYLON	BRASS	STAINLESS STEEL

- ASSEMBLE WITH ONE OR TWO WHEELS

4233

- CAN BE SHIPPED UNASSEMBLED



AMESBURY ITEM #	REFERENCE ITEM #	MATERIAL		
		HOUSING	ROLLER	AXLE
400149	4233-1000	NYLON	CELCON	INTEGRAL TO ROLLER
400150	4233-1000B	NYLON	BRASS	STAINLESS STEEL
400151	4233-10SSC	NYLON	CELCON	STAINLESS STEEL
400300	4233-1000SS	NYLON	STAINLESS STEEL	STAINLESS STEEL

DIMENSIONS ARE FOR REFERENCE ONLY AND ARE IN INCHES UNLESS OTHERWISE NOTED.
CONTACT OUR ENGINEERING DEPARTMENT WITH SPECIFIC APPLICATION QUESTIONS OR REQUIREMENTS.
NOT ALL COMBINATIONS LISTED ARE CURRENTLY STOCKED, EXTRA LEAD TIME MAY BE REQUIRED.