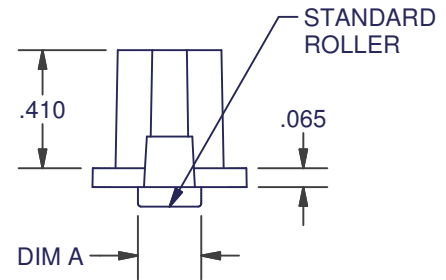
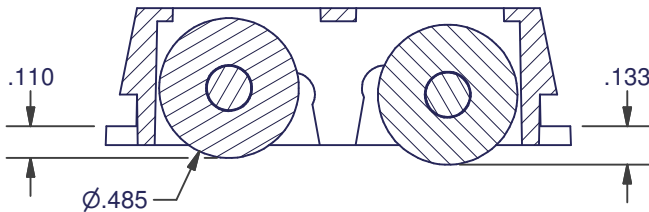
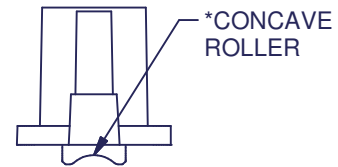
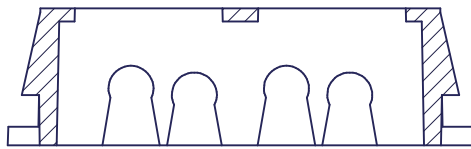
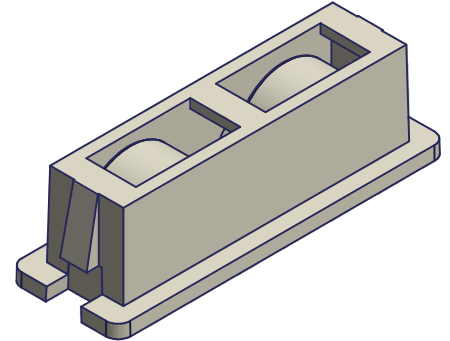
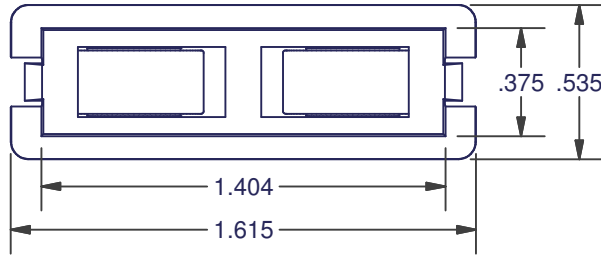


# WINDOW ROLLERS

**4236**

- ASSEMBLED WITH ONE OR TWO ROLLERS
- CAN BE SHIPPED UNASSEMBLED



AMESBURY ITEM #	REFERENCE ITEM #	ROLLER QTY	ROLLER POSITION	DIM A	MATERIAL		
					HOUSING	ROLLER	AXLE
400207	4236-1000-1-1	1	1	0.220	NYLON NATURAL	CELCON NATURAL	STAINLESS STEEL
400153	4236-1000-2-1	2	1	0.220	NYLON NATURAL	CELCON NATURAL	STAINLESS STEEL
400208	4236-1000-1-2	1	2	0.220	NYLON NATURAL	CELCON NATURAL	STAINLESS STEEL
400209	4236-1000-2-2	2	2	0.220	NYLON NATURAL	CELCON NATURAL	STAINLESS STEEL
400210	4236-1000B-1-1	1	1	0.225	NYLON NATURAL	BRASS	STAINLESS STEEL
400154	4236-1000B-2-1	2	1	0.225	NYLON NATURAL	BRASS	STAINLESS STEEL
400211	4236-5000B-1-2	1	2	0.225	NYLON NATURAL	BRASS	STAINLESS STEEL
400212	4236-1000B-2-2	2	2	0.225	NYLON NATURAL	BRASS	STAINLESS STEEL
400213	4236-2000B-1-1	1	1	0.225	30% GF NYLON	BRASS	STAINLESS STEEL
400155	4236-2000B-2-1	2	1	0.225	30% GF NYLON	BRASS	STAINLESS STEEL
400214	4236-2000B-1-2	1	2	0.225	30% GF NYLON	BRASS	STAINLESS STEEL
400215	4236-2000B-2-2	2	2	0.225	30% GF NYLON	BRASS	STAINLESS STEEL
400343	*4236-4000-2-1	2	1	0.22	NYLON NATURAL	CELCON CONCAVE	STAINLESS STEEL

DIMENSIONS ARE FOR REFERENCE ONLY AND ARE IN INCHES UNLESS OTHERWISE NOTED.  
 CONTACT OUR ENGINEERING DEPARTMENT WITH SPECIFIC APPLICATION QUESTIONS OR REQUIREMENTS.  
 NOT ALL COMBINATIONS LISTED ARE CURRENTLY STOCKED, EXTRA LEAD TIME MAY BE REQUIRED.