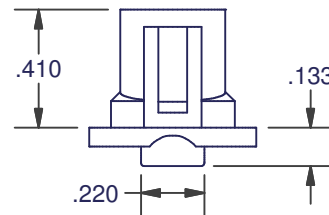
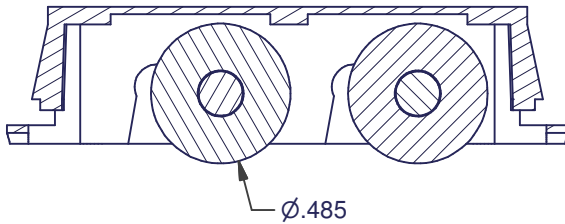
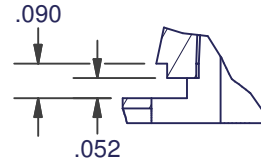
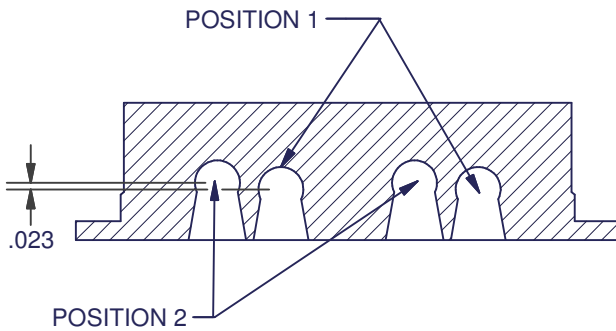
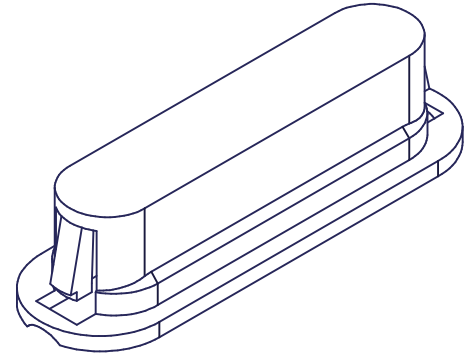
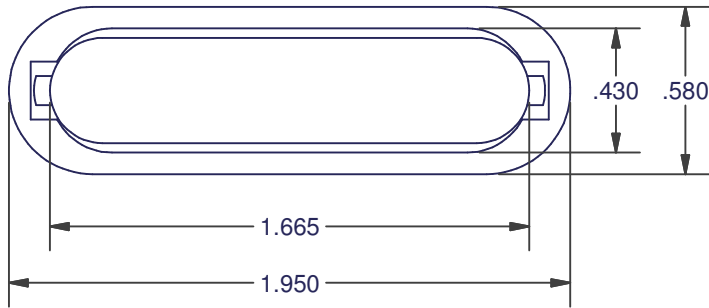


WINDOW ROLLERS

4239



AMESBURY ITEM #	REFERENCE ITEM #	ROLLER QTY	ROLLER POSITION	MATERIAL		
				HOUSING	ROLLER	AXLE
400312	4239-1000-2-1	2	1	15% GF NYLON	ACETAL	STAINLESS STEEL
400313	4239-1000-2-2	2	2	15% GF NYLON	ACETAL	STAINLESS STEEL
400314	4239-1000B-2-1	2	1	15% GF NYLON	BRASS	STAINLESS STEEL
400315	4239-1000B-2-2	2	2	15% GF NYLON	BRASS	STAINLESS STEEL

DIMENSIONS ARE FOR REFERENCE ONLY AND ARE IN INCHES UNLESS OTHERWISE NOTED.
 CONTACT OUR ENGINEERING DEPARTMENT WITH SPECIFIC APPLICATION QUESTIONS OR REQUIREMENTS.
 NOT ALL COMBINATIONS LISTED ARE CURRENTLY STOCKED, EXTRA LEAD TIME MAY BE REQUIRED.