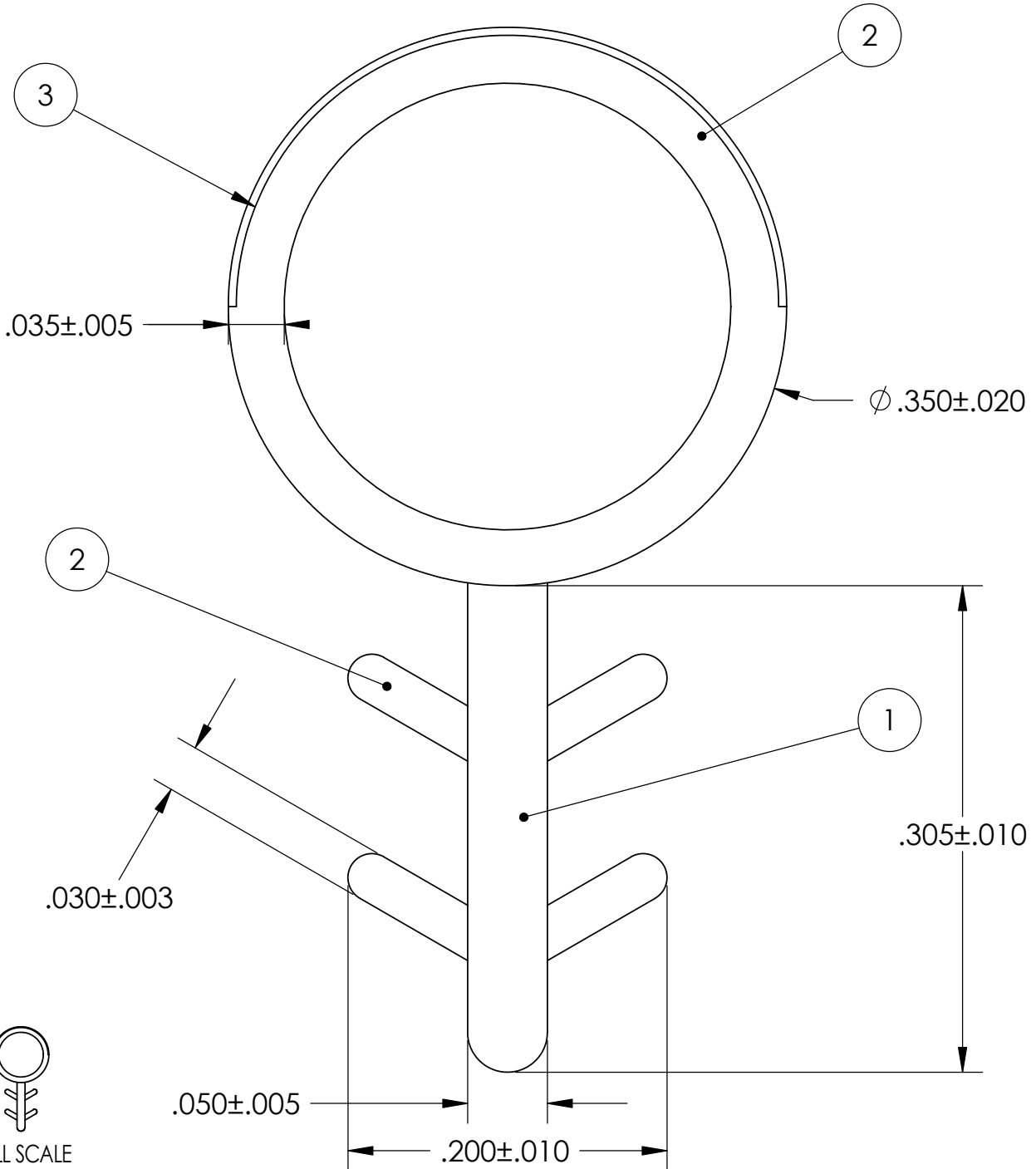


PRODUCT PRINT

The information disclosed on this drawing is confidential and the property of Schlegel Systems Inc. The use, disclosure, or reproduction of this of this information and related knowhow is prohibited without written permission from Schlegel

REVISIONS

LEVEL	DESCRIPTION	DATE	BY
A			
B			
C			



FULL SCALE

DECIMAL DIMENSIONS UNLESS OTHERWISE SPECIFIED	in <input checked="" type="checkbox"/>	3	SLIPCOAT
	mm <input type="checkbox"/>	2	TPE
5/15/2007		1	POLYPROPYLENE
SHEET 1 OF 1	ITEM	R. M. NUMBER	MATERIAL DESCRIPTION
SCALE: 10:1	APPROVED:	CHECKED:	DRAWN: EJL TITLE: AP-435
DO NOT SCALE DRAWING		PART NO.: 370_-8791-__	DRW. NO.: PP201008