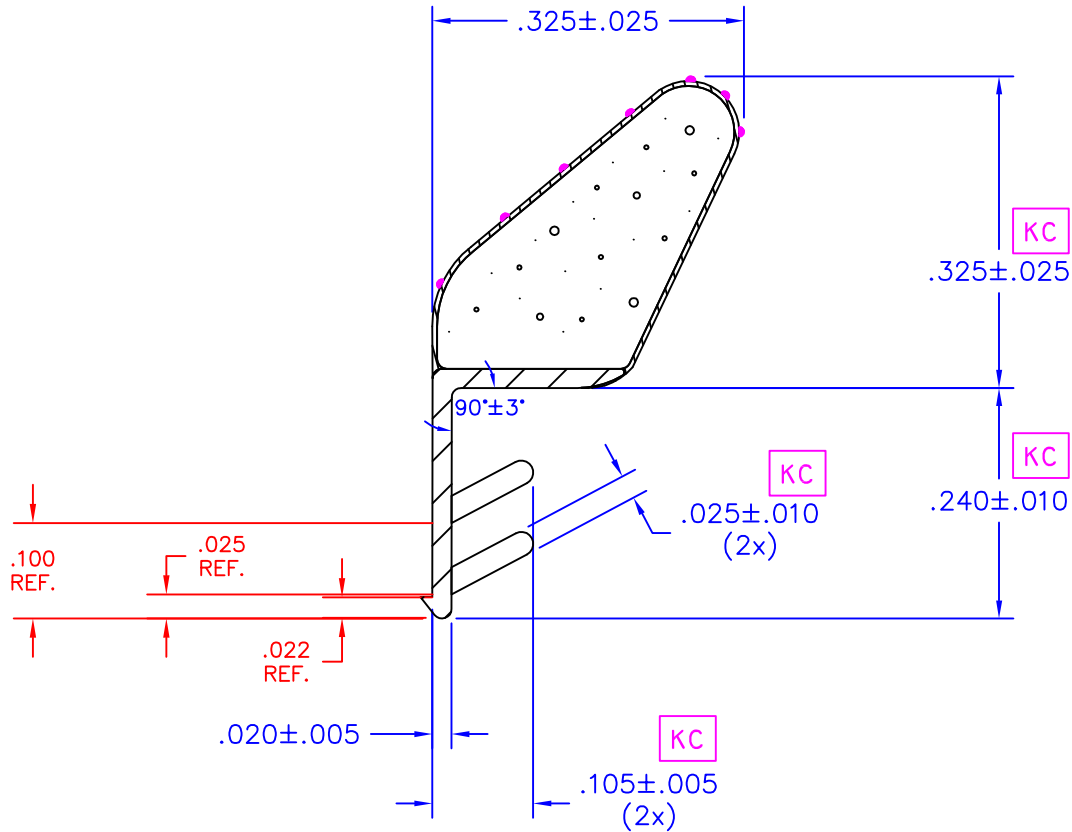


PROPRIETARY NOTICE

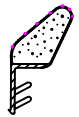
THE INFORMATION CONTAINED IN THIS DRAWING IS THE PROPERTY OF AMESBURY TRUTH AND IS CONFIDENTIAL AND PROPRIETARY TO THE COMPANY. THIS DRAWING IS NOT TO BE COPIED OR REPRODUCED IN WHOLE OR IN PART WITHOUT THE EXPRESS WRITTEN PERMISSION OF THE COMPANY. THE INFORMATION CONTAINED IN THIS DRAWING IS TO BE USED SOLELY FOR THE BENEFIT OF AMESBURY TRUTH AND IS NOT TO BE DISCLOSED OR USED IN THE PERFORMANCE OF SERVICES OR MANUFACTURE OF GOODS FOR ANY OTHER PARTY WITHOUT THE EXPRESS WRITTEN PERMISSION OF AMESBURY TRUTH.

DWG NO.
12407 R-0



CUSTOMER APPROVAL

DATE _____



ACTUAL
SIZE

REVISIONS

NO.	DESCRIPTION	DATE	BY
1.			
2.			
3.			
4.			
5.			
6.			

DRAWN	DATE	CHK'D	SCALE:
BJV	10/22/01	DA	5/1

NOTES:
Previously 12407 R-A



TITLE:
Casement Window Seal

Dwg. or Part No.
12407

REV.
0