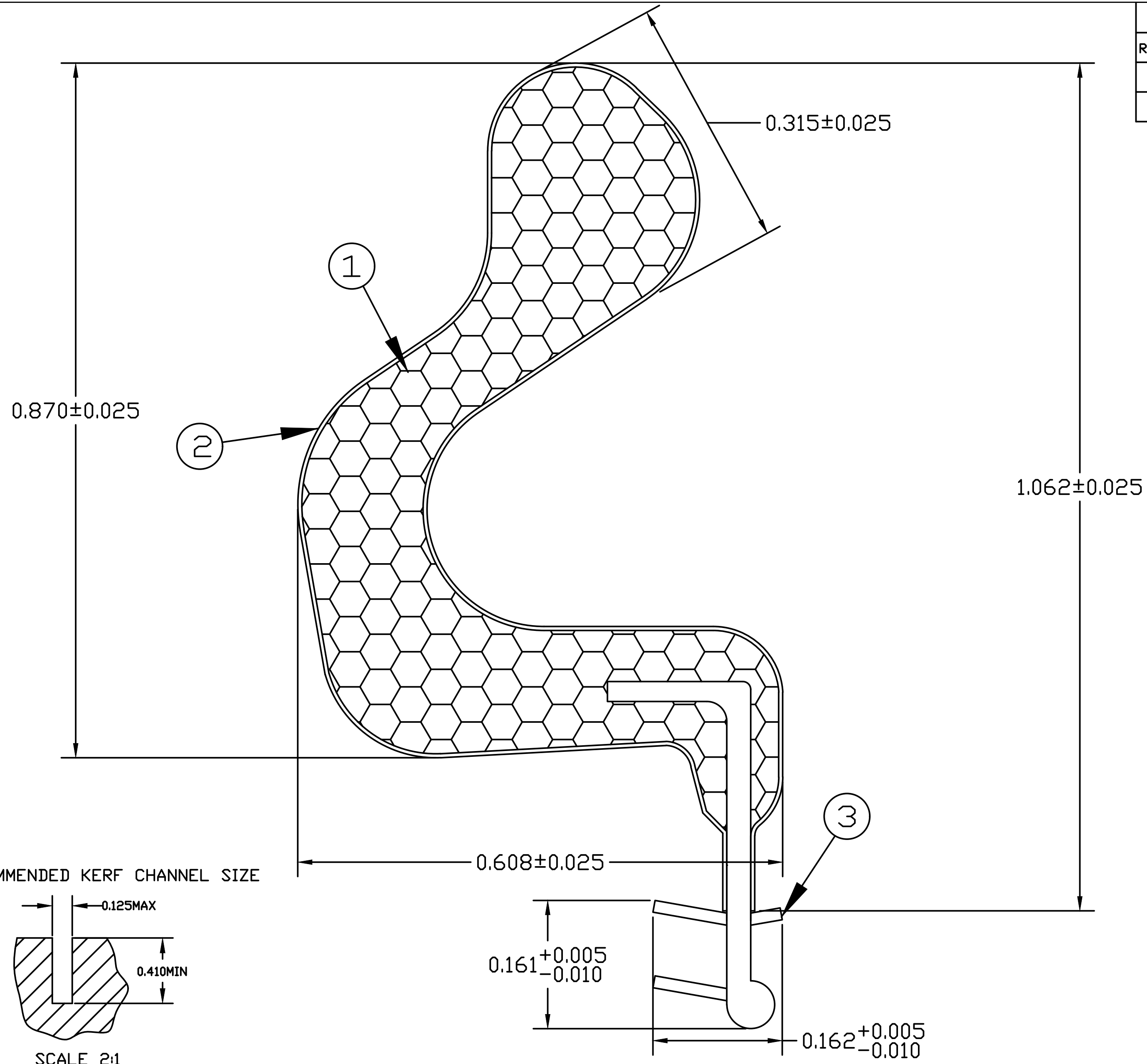
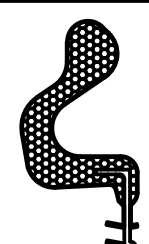


REVISION				
REV	DESCRIPTION	DATE	ECO	BY



3	KERF INSERT PF 588	POLYPRD
2	LINER	POLYETH
1	FOAM MIX	POLYURE
PT NO	ITEM	MATL

ACTUAL SIZE	TOLERANCES UNLESS OTHERWISE SPECIFIED
	ONE PLACE ± .030 TWO PLACES ± .010 THREE PLACES ± .005 ANGLES ±1°



**FenSeal**

W.D.	REF	VENDOR #:	PR 0XXX	REQ.
SCALE 10:1	DRAWN DATE:	TITLE DSFC-875K162-PF588		
	CHECK'D R. BA DATE 2019/03/19			
	APPR DATE	DWG. NO. DSFC-875K162-PF588		