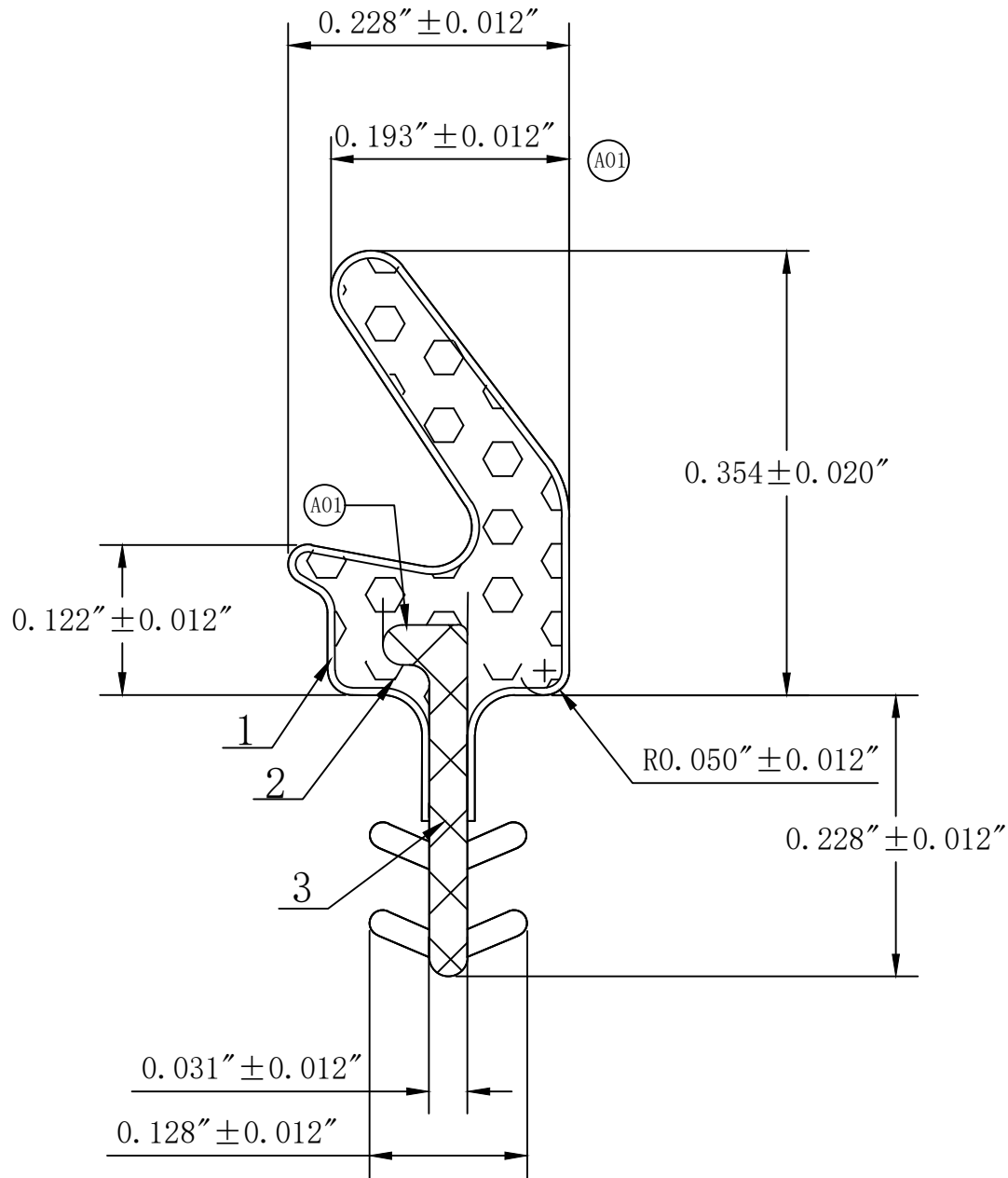


REVISION				
REV	DESCRIPTION	DATE	ECO	BY



- Technical Requirement:**
1. Unremarked tolerances is in accordance with the standard of Q/JAMF
 2. PE film, PU foam filled and insert must be paste firmly, and they can't be breakaway.
 3. The surface of the seal is smooth and can't be dirty break and scratch

GENERAL NOTES:
 "XX" IN THE DRAWING NUMBER IS THE COLOR CODE FOR THE PART.

- "BG" - Beige
- "BK" - Black
- "WH" - White
- "BZ" - Bronze

3	----	----
2	----	----
1	----	----
PT NO	ITEM	MATL

ACTUAL SIZE	TOLERANCES UNLESS OTHERWISE SPECIFIED	W. O.	REF	Vendor Dwg: -----	REQ.
	ONE PLACE ± .020 TWO PLACES ± .010 THREE PLACES ± .005	ANGLES ± 1°	SCALE	TITLE PART DRAWING	
			10:1	DATE: 2020/04/18	
				DATE	DWG. NO. KS-354K125-XX