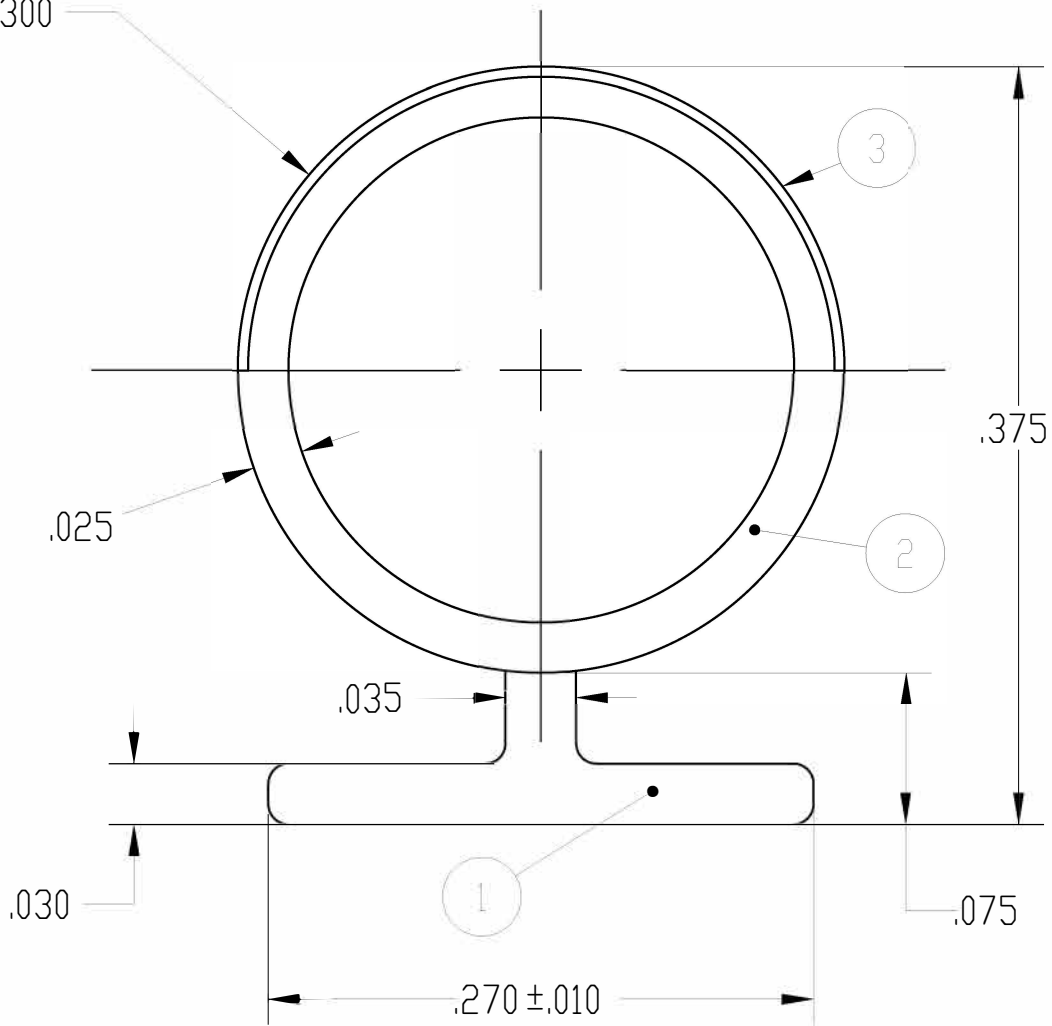




∅ .300



FULL SCALE

DO NOT SCALE DRAWING

P10R

DECIMAL DIMENSIONS ± UNLESS OTHERWISE SPECIFIED in <input type="checkbox"/> mm <input type="checkbox"/>		4		
		3	SLIP COAT	SEE BOM
		2	TPE	SEE BOM
CREATED DATE: 3/9/2020 SHEET 1 OF 1		1	POLYPROPYLENE	SEE BOM
SCALE: 1:1	APPROVED:	CHECKED: BKB	DRAWN: NM	TITLE: ▲P 300-270T
REV:	File: PP2017081	PART NO: ▲P300-270T	DRW. NO:	