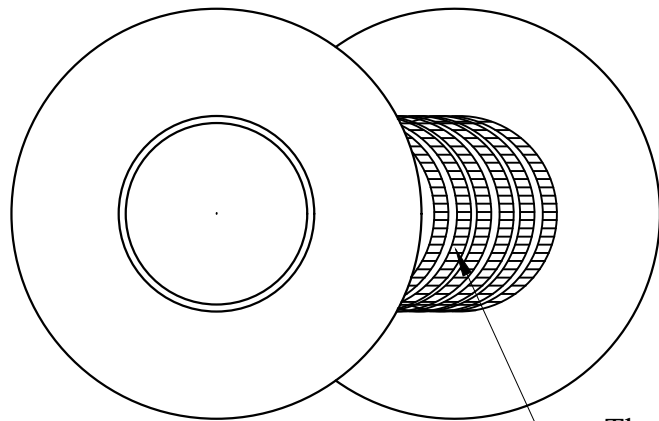
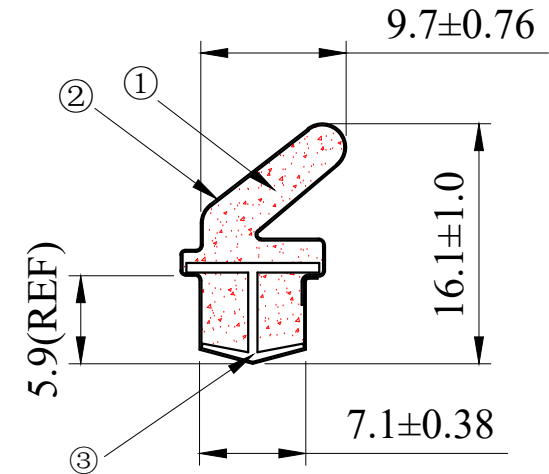


REVISIONS			
REV	DESCRIPTION	DATE	BY
00	Initial Release	13.Jul.23	

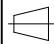



The tolerance of length shall be within 0~1% of order length.(Qty per roll 700FT (213.36M))



- 1) FABRIC-OVER FOAM GASKET
- 2) OTHER PARAMETERS ACCORDING TO CATALOGUE
- 3) RoHS COMPLIANT

③	PLASTICS INSERT
②	
①	SEM TYPE 1 FOAM

Unit: mm.	 	PRODUCT NAME	PolyFab GASKET
APPD.		PART NUMBER	P8F1WH-00000
CHKD.		DRAWING NUMBER	TC2307080 REV00
DWN.			